



MODULAR REMOTE HIGH SIDE CONDENSING UNITS

Model 1000-6000 RHS Water-cooled Condensing Units



Model 2000-RHS-WC

Models 1000-6000 RHS condensing units are all engineered with the correct capacity, components and controls to match each and every Howe Rapid Freeze Flake Ice Machine. These units are designed for unexcelled quality, reliability, and long life. They are durable, energy efficient, and available in a wide variety of refrigerants and electrical voltages.

STANDARD FEATURES

- High efficiency Copeland compressors.
- Electrical controls including compressor contactor and ice flaker interconnect wiring are located easily accessible control box with hinged cover.
- Head pressure control system
- Suction & liquid vibration eliminators.
- Liquid line filter-drier and sight glass.
- Water regulating valve (Shipped loose)

SPECIAL FEATURES

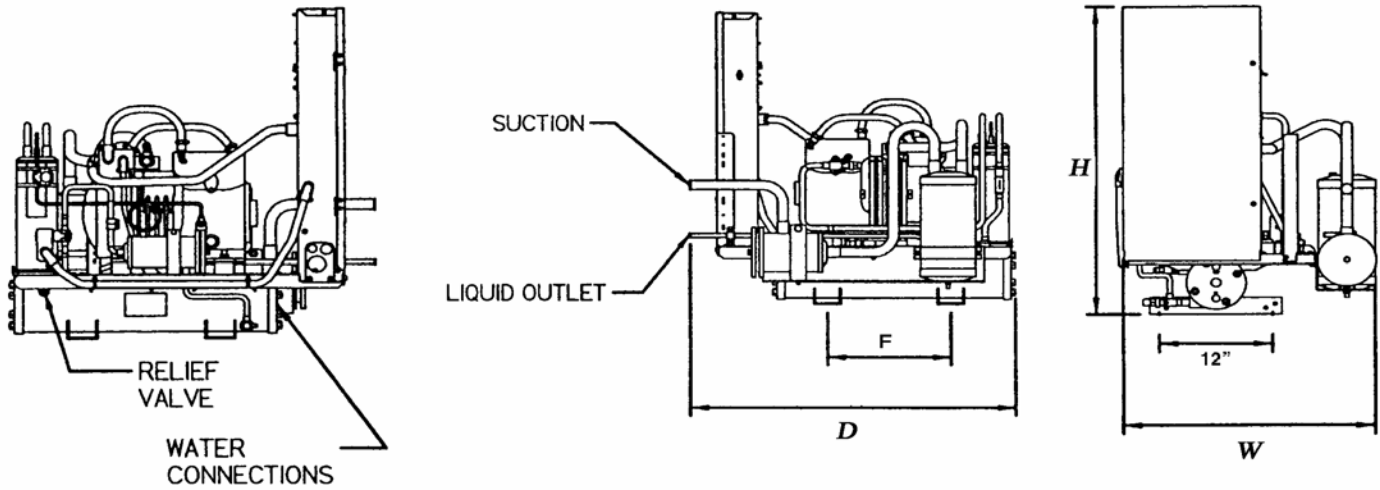
- Contact points to connect with flaker control panel to monitor low oil pressure, high discharge pressure, low suction pressure (pump-down), and compressor running conditions.
- Suction Accumulator
- Oil Separator with oil return line.
- Separate high pressure, low pressure control switches

OPTIONAL FEATURES

- Marine duty condensers for Seawater cooling.



Model 1000-6000RHS W/C RAPID FREEZE



Condensing Unit Information * R-404A *

	Model No.	Dimensions								Connection Sizes		Condenser Connection Sizes			Rec. Cap. 90%	Shipping Weight	
		Inches				Centimeters				Suction	Liquid	Water In	Water Out	Flow G.P.M.		Lbs.	Lbs.
		W	D	F	H	W	D	F	H								
60 cycle	2000-RHS-WC	26 3/4	38 3/8	13 1/2	36 3/8	68	98	34.3	93	1-1/8	1/2	3/4	3/4	5	17	325	148
	3000-RHS-WC	26 3/4	38 3/8	13 1/2	36 3/8	68	98	34.3	93	1-3/8	1/2	3/4	3/4	7	17	340	155
	4000-RHS-WC	30 3/8	42 1/2	14	39 1/4	77	108	35.6	100	1-3/8	5/8	1 1/4	1 1/4	9	34	415	189
	6000-RHS-WC	35 3/8	55 1/2	36	41 1/2	90	141	91	106	1-5/8	5/8	1 1/4	1 1/4	14	52	465	211
50 cycle	2000-RHS-WC	26 3/4	38 3/8	13 1/2	36 3/8	68	98	34.3	93	1-1/8	1/2	3/4	3/4	5	17	325	148
	3000-RHS-WC	26 3/4	38 3/8	13 1/2	36 3/8	68	98	34.3	93	1-3/8	1/2	3/4	3/4	7	19	385	175
	4000-RHS-WC	30 3/8	42 1/2	14	39 1/4	77	108	35.6	100	1-3/8	5/8	1 1/4	1 1/4	9	34	415	189
	6000-RHS-WC	35 3/8	55 1/2	36	41 1/2	90	141	91	106	1-5/8	5/8	1 1/4	1 1/4	14	57	560	255

ELECTRICAL SPECS 60 Cycle

Voltage	Model	Compressor		Unit	
		R.L.A.	L.R.A.	M.C.A.	M.O.P.
208-230/3/60	2000-RHS-WC	11.5	112	15	25
	3000-RHS-WC	14.4	102	20	30
	4000-RHS-WC	25.8	161	32.3	50
	6000-RHS-WC	27.6	161	34.5	60
460/3/60	2000-RHS-WC	5.4	56	15	15
	3000-RHS-WC	7.1	52	15	15
	4000-RHS-WC	9.2	60	15	20
	6000-RHS-WC	14.1	83	20	30

ELECTRICAL SPECS 50 Cycle

Voltage	Model	Compressor		Unit	
		R.L.A.	L.R.A.	M.C.A.	M.O.P.
380/3/50	2000-RHS-WC	5.4	56	15.	15
	3000-RHS-WC	9.2	60	15	20
	4000-RHS-WC	11.9	80	15	25
	6000-RHS-WC	15.	106	20	30

Suction accumulator is provided with Howe furnished condensing unit.

