



MODULAR REMOTE HIGH SIDE CONDENSING UNITS

Model 11ESS-CU through 31ESS-CU Seawater-Cooled Condensing Units



Model 11ESS-CU

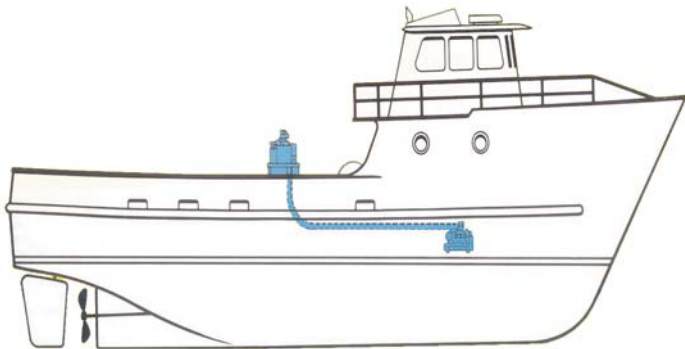
Models 11ESS-CU through 31ESS-CU condensing units are all engineered with the correct capacity, components and controls to match each and every Howe Rapid Freeze seawater shipboard flake ice machine. These units are designed for unexcelled quality, reliability, and long life. They are durable, energy efficient, and available in a wide variety of refrigerants and electrical voltages.

STANDARD FEATURES

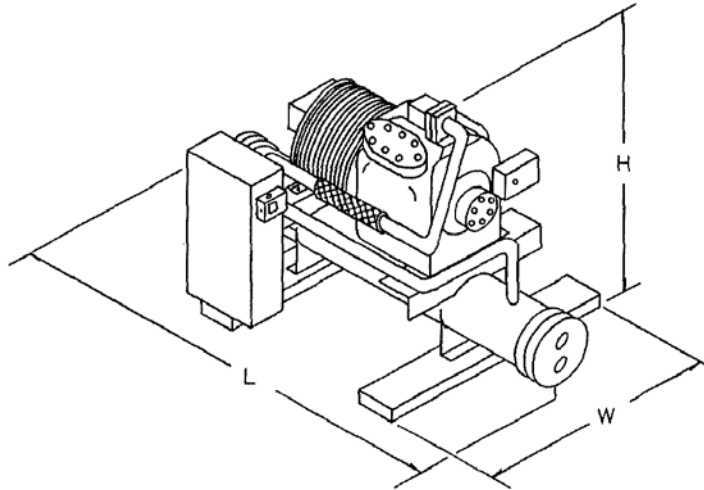
- High efficiency Copeland compressors.
- Electrical controls including compressor contactor and ice flaker interconnect wiring are located easily accessible control box with hinged cover.
- Liquid line filter-drier and sight glass.
- Water regulating valve (shipped loose)

SPECIAL FEATURES

- Contact points to connect with flaker control panel to monitor low oil pressure, high discharge pressure, low suction pressure (pump-down), and compressor running conditions.
- Suction accumulator
- Oil separator with oil return line.
- Separate high pressure, low pressure control switches
- Marine duty condensers for seawater cooling.



Model 11ESS-CU - 31ESS-CU RAPID FREEZE



Condensing Unit Information * R-404A *

	Model No.	Dimensions						Connection Sizes		Condenser Connection Sizes			Shipping Weight	
		Inches			Centimeters			Suction	Liquid	Water In	Water Out	Flow G.P.M.	Lbs.	Kg.
		W	D	H	W	D	H							
60 cycle	11ESS-CU	35	41	39	89	104	99	1-3/8	5/8	1-1/4	1-1/4	5	415	188
	16ESS-CU	35	46	41	89	117	104	1-5/8	5/8	1-1/4	1-1/4	7	465	211
	21ESS-CU	35	46	41	89	117	104	1-5/8	7/8	1-1/4	1-1/4	10	715	325
	31ESS-CU	37	46	43	94	117	109	2-1/8	7/8	1-1/2	1-1/2	14	780	354
50 cycle	11ESS-CU-14S	35	41	39	89	104	99	1-3/8	5/8	1-1/4	1-1/4	5	430	195
	16ESS-CU-14S	35	46	41	89	117	104	1-5/8	5/8	1-1/4	1-1/4	7	560	254
	21ESS-CU-14S	35	46	41	89	117	104	2-1/8	7/8	1-1/2	1-1/2	10	780	354
	31ESS-CU-14S	37	55	43	94	139	109	2-1/8	7/8	1-1/2	1-1/2	14	865	393

ELECTRICAL SPECS 60 Cycle

Voltage	Model	Compressor		Unit	
		R.L.A.	L.R.A.	M.C.A.	M.O.P.
208-230/3/60	11ESS-CU	25.4	161	31.7	50
	16ESS-CU	28.3	161	35.3	60
	21ESS-CU	37.7	215	47.2	80
	31ESS-CU	47.2	278	59	100
460/3/60	11ESS-CU	12	80	15	25
	16ESS-CU	14.2	83	17.7	30
	21ESS-CU	16.7	106	20.9	35
	31ESS-CU	23.6	139	29.5	50

ELECTRICAL SPECS 50 Cycle

Voltage	Model	Compressor		Unit	
		R.L.A.	L.R.A.	M.C.A.	M.O.P.
380/3/50	11ESS-CU-14S	10.8	77	13.5	20
	16ESS-CU-14S	15.	106	20.9	30
	21ESS-CU-14S	23.6	139	29.5	50
	31ESS-CU-14S	28.9	187	36.1	60

Suction accumulator is provided with Howe furnished condensing unit.

