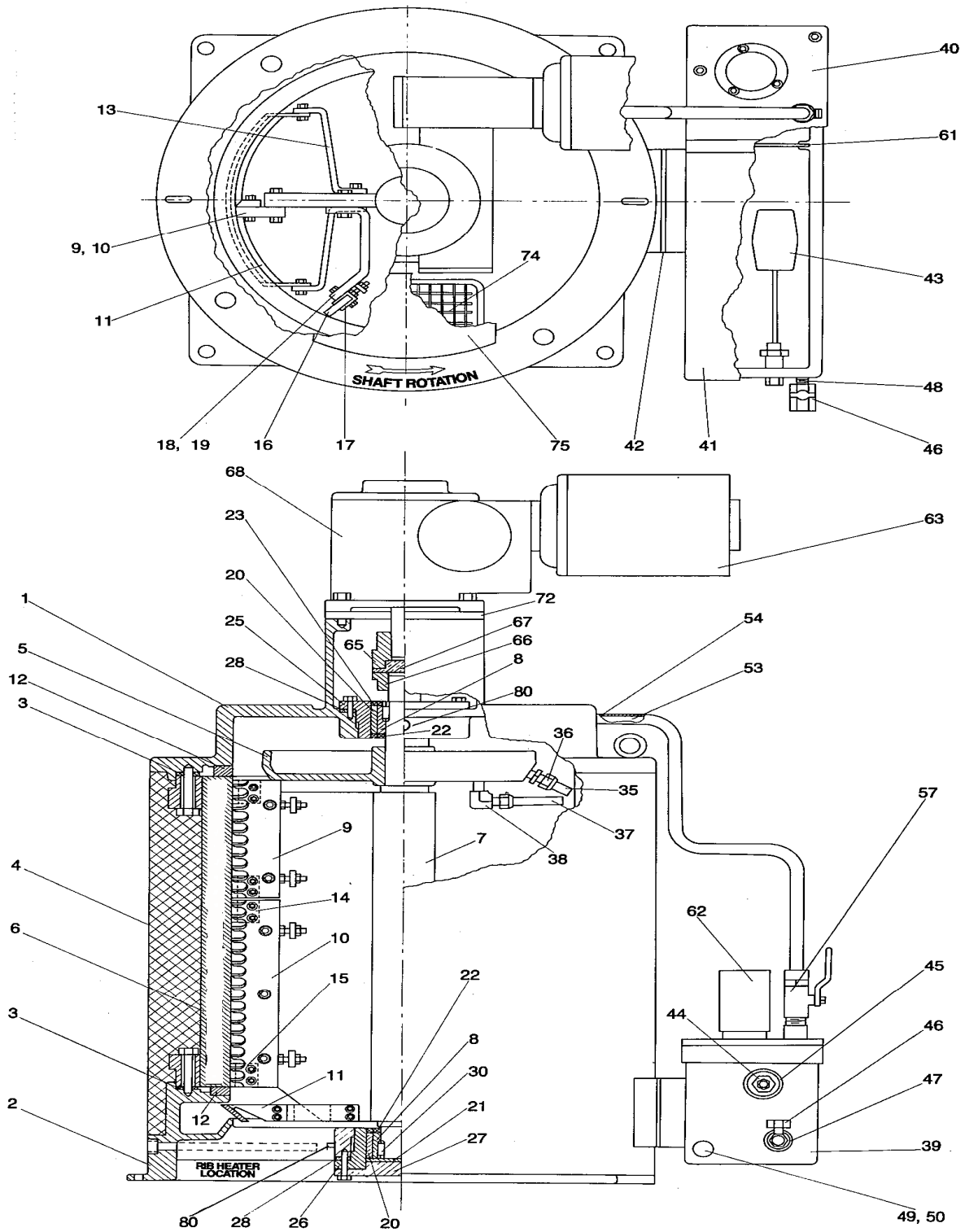


# Models 101-RL, RLA, RLR, ES Flake Ice Machine Cross-Section



101-RL, RLA, RLR, 100E, 101ES

Item No.	Part Description	Part Number
3	Insulated lug spacers (8)	E50J2
7	Main shaft	E100D1
8	Shaft sleeve	E50D2
9	Top ice blade 20 ½"L, 12 ½" L, 20 ½" L	E30E3
9a	Nuts, Bolts & washers (top ice blade)	E30E5
10	Bottom ice blade	E30E3
10a	Nuts, Bolts & washers (bottom ice blade)	E30E5
	Ice Blade Adjustment Gauge kit. Set of seven feeler gauges for ice blade adjustment	E10E15
11	Ice deflector blade	E50G5
11a	Nuts, Bolts & washers (ice deflector)	E50G8
12	Insulating ring (2)	E50J1
	Insulating Ring Repair Tool	E50J6
12a	Insulating ring adhesive - 2 pint	7V033
13	Ice deflector bracket (2)	E50G9
14 or 15	Top & Bottom auxiliary ice scraper (2)	E20E4
15a	Nuts, Bolts & washers (aux. Ice scraper)	E20E7
16	Squeegee	E100F3
17	Squeegee wrapper	E100F4
17a	Nuts, Bolts & washers (squeegee wrapper)	E100F8
18	Top squeegee bracket	E50F1

19	Bottom squeegee bracket	E50F1
20	Main shaft bearings (2)	E50K1
21	Bottom bearing thrust plate	E50K2
22 & 23	Main bearing grease seal -Chromed (3)	E50K14
25	Top main bearing retainer	E50K3
25a	Top bearing replacement kit (includes: bearing, 2-seals, shaft sleeve)	E50K10
	Top bearing retainer assembly (includes: bearing retainer with pressed in bearing, 2 seals, shaft sleeve, pull-out washer)	E50K3-KT
26	Bottom main bearing retainer	E50K4
26a	Bottom bearing replacement kit (includes: bearing, 1-seal, shaft sleeve, bearing plate)	E50K11
	Bottom bearing retainer assembly (includes: bearing retainer with pressed in bearing, seal, shaft sleeve, bearing)	E50K4-KT
27	Bottom bearing cover	E50K5
28	Main bearing pull-out washer (2)	E50K6
35 & 36	Water distribution side spout & fitting (11)	E50H19
37 & 38	Water distribution bottom spout & fitting	E50H31
5	Water Distribution Pan (no fittings)	E50H1
40	Water sump bolt down cover (water pump side)	E50H11
41	Water sump removable cover	E50H15
42	Water sump gasket	E50J3
43	Water float valve	E50H18
44	Water float valve fitting	CNBHF-SG-BR08
53	Water tube kit with fitting	E50H38-KT
56	Water tube fitting	CNM-SG-BR14X12
57	Water tube regulating valve	E50H24

62	Water pump 230-460/3/50-60	E50Q1
	Water pump 220-230/1/50-60	E50Q2
62	Water pump 575/3/60	E50Q9
	Water Sump Tank (no covers)	E50H8
	Water Sump Tank (with covers)	E50H8-KT
63	Drive motor 208-230-460/3/50-60 1 HP O.D.P.	E50M1
	Drive motor 230/1/60, 1 HP O.D.P.	E50M2
	Drive Motor 220/1/50, 1 HP, O.D.P.	E50M3
	Drive motor 208-230-460/3/50-60 1 HP TEFC	E50M4
	Drive motor 220/380/3/50 TEFC	E50M5
	Drive Motor 208-230/1/60 1 HP, TEFC	E50M6
	Drive Motor 110/200-220/1/50 1 HP, TEFC	E50M7
	Drive motor 220/-380/3/50 O.D.P.	E50M9
65,66,67	Flexible coupling - complete	E50N1
68	Speed reducer 60 cycle 750:1 ratio (935 MDVD 071XOPS)	E50R1-935
	Speed Reducer 50 Cycle 600:1 ratio	E50R2-935
75	Handhole cover removable	E50A2
	Liquid Line Solenoid Valve (single circuit) (1 req.)	B25S2
	Liquid Line Solenoid Valve (Dual circuit) (2 req.)	B14S2
	Replacement Rib Heater Element (3 required) (150 watts each)	HT150-240-037X80
	Replacement Rib Heater Element (3 required) (500 watts each)	HT500-240-037X80
	Time-delay fuse 7.5 amp (required for 500 watts rib heater elements)	5V023
	Condensate Drain Pan for 51-RL, 76-RL & 101-RL Ice Flakers	ILS-283

### Replacement Control Panel Parts

Control Panel Parts - E20T40-RL & E20T40-SCA - Installed on RL Models			Neon Indicating Lights	
	Complete Control Panel (2 lights)	E20T40-RL	Green 230VAC (compressor run light - SCA control panel)	LGX-2
	Complete Control Panel (6 lights)	E20T40-SCA	Amber 230VAC (low suction pressure pump down light - SCA control panel)	LAN-2
	24 Volt control transformer	E20T31	Red 230VAC (low oil pressure & high discharge pressure light - SCA control panel)	LRN-2
	Control board (1 ~ 10 amp range)	E20T48	Green 24VAC (flaker run light - RL & SCA control panels)	LGX-24
	Control board (1 ~ 15 amp range)	E20T87	Red 24VAC (motor overload light - RL & SCA control panels)	LRN-24
	Overload reset button (N.O.)	E20T23		
	Snap-in On-off rocker switch	E20T24		
	4-Pole contactor 24 volt coil for flaker drive motor	E20T44		
	230 VAC single pole, double throw relay for water pump	E20T45		
	Relay base socket for above relay	E20T46		
	2 amp fuse (600 vlot) - 2 required	E20T49		
	Fuse holder	E20T52		
	Off-Delay Timer	5V012		

#### Photoeye Replacement Parts - Old Style

	Power Module (CM5RB)	E10U28-3	
	Receiver (Black cable, PT400)	E10U28-2	
	Emitter (Gray cable, LR400)	E10U28-1	
	Bracket (single - 2 required)	E10U42	
	11 Bin Base	5V013	

#### Photoeye Replacement Parts - New Style

	Photoeye kit (power module, receiver, emitter, brackets)	E20T73	
	Power Module (Level control Relay R1)	E20T68	
	Emitter for RLE Models (20" cable with molex plug)	E20T104	
	Receiver for RLE Models (20" cable with molex plug)	E20T105	
	Emitter for RL Models (15' cable)	E20T104-NP	
	Receiver for RL Models (15' cable)	E20T105-NP	
	Bracket (single - 2 required)	E10U44	
	11 Pin Base	5V013	