



## Replacement parts for Model 1000RL(E)

### *Rapid Freeze*® Ice Flakers



TABLE	DESCRIPTION	PAGE
1	Cross Section Drawing for 1000 series ice machines	2
2	Replacement parts for 1000 pound ice machines	2 ~ 4
3	Replacement parts for control panels	4
4	Replacement parts for water filters and misc.	5
	Replacement Expansion Valves	5

### Minimum Parts Order U.S. \$ 100 NET

Please have model number and serial number of ice flaker ready when ordering replacement parts.  
 Number in parenthesis noted on some part descriptions indicates quantities  
 if more than one is required, list price each

Howe Corporation · 1650 N. Elston Ave. · Chicago, IL. 60642-1585  
 Tel 773-235-0200 · Fax 773-235-0269

[Email: parts@howecorp.com](mailto:parts@howecorp.com)

[Website: www.howecorp.com](http://www.howecorp.com)

**Models 1000-RLE, 1300-RL, RC, SCW & SCA  
Fresh Water Flake Ice Machine Cross-Section**

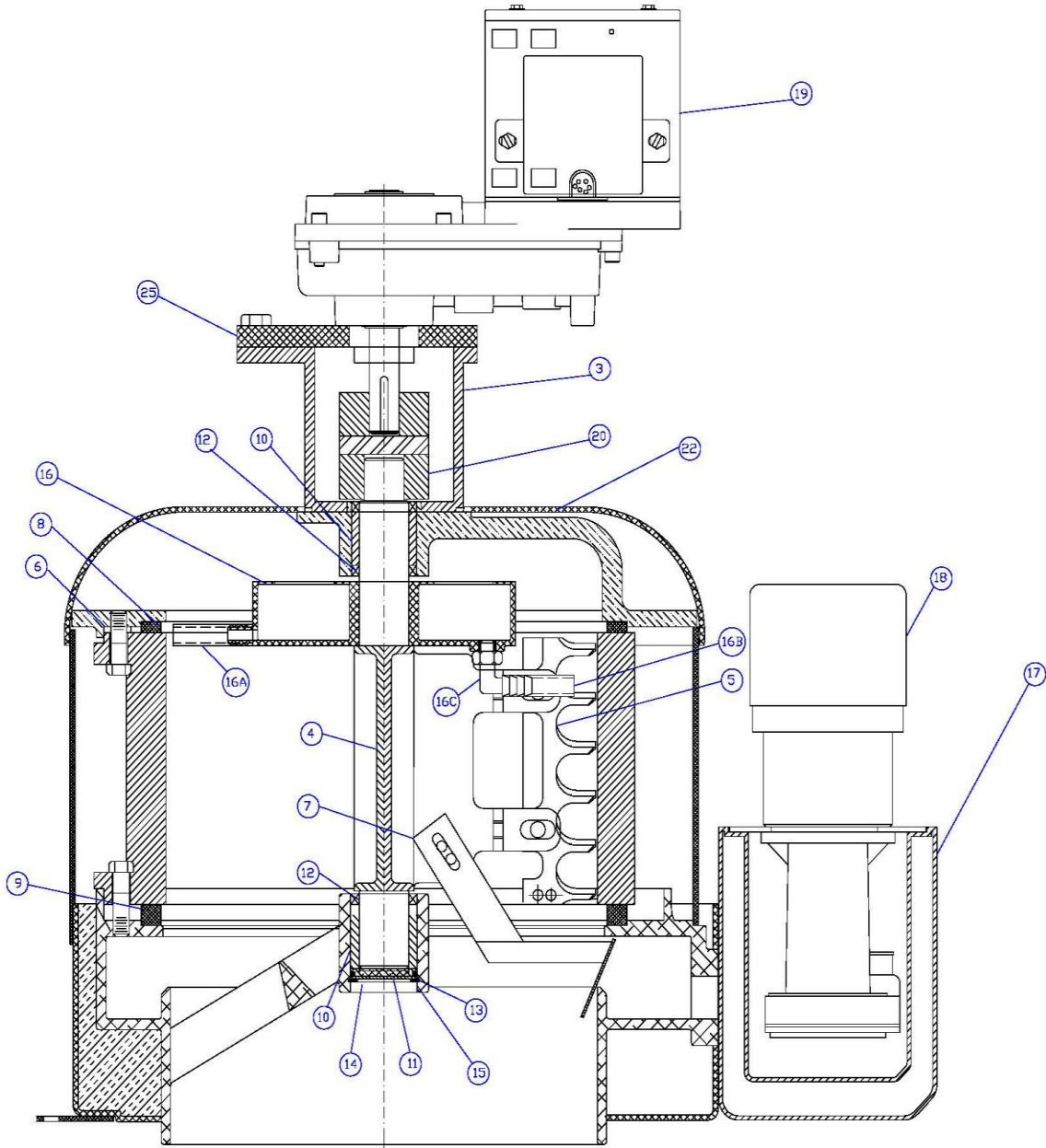


TABLE 1 Item No.	Replacement Parts for Models Listed to Right Part Description	1000,1300- Part No.
	Coupling Hub with hardware	F5A6-KT
4	Main shaft	F5D2
5	Ice harvesting blade	F5E1
	Top / Bottom Auxiliary Ice Scraper for Ice harvesting blade	F5E2
	Nuts, bolts & washers (Ice blade)	F5E5
	Insulating lug spacer (4)	F5J5

	insulating lug spacer (4)	
	Insulating lug spacer (4)	F5J7

7	Ice deflector	F5G1
	Nuts, bolts & washers (Ice deflector)	F5G2
8	Top insulating ring	F5J4
9	Bottom insulating ring (wider)	F5J8
10	Main bearing (2)	F5K1
11	Bottom Bearing plate	F5K2
12	Main bearing oil seals (3)	F5K3
13	O-Ring for bearing plate	F5K4
14	Bottom bearing disc, SS	F5K5
15	Bottom bearing disc lock ring	F5K6
	Bearing replacement kit (includes items 10 - 15)	F5K7
16	Water distribution pan assembly	F5H5
16A	Water distribution side tube & fitting (5)	F5H6
16 B & C	Water distribution bottom tube & fitting	F5H30
	Water sump cover – removable access side	F5H25-4
17	Water sump assembly for 1000-RLE	F5H26-P
	Water sump assembly for 1300-RL	F5H26
	Water Sump Gasket	F5H18
18	Replacement Water Pump Assembly w/mounting plate, ball valve, tubing & Molex plug	E10Q7-P
	Water pump regulating valve	E10H59
	Water float valve	E10H79
	Water tube kit with regulating valve	F5H11-KT
	Flexible Coupling	F5N1
19, 20 & 25	Gear Motor Kit (including gear motor, adapter plate, flexible coupling & hardware)	F5M1-KT
	Output Shaft, 3/4" With Snap Rings And Keys, 2.5"	F5M11
25	Adapter Plate	F5A7
	Handhole Cover Removeable	F5I2
	Liquid line solenoid valve (w /MCK-1S coil) (Spade terminals)	B6S1-038

TABLE 2

## Replacement Control Panel Parts

## Control Panel Parts - F5U4 &amp; E10U45 - Installed on RLE Models

	Control board, 24VAC.	E20T48	
	Overload reset button (N.O.)	E20T23	
	Snap-in On-off rocker switch	E20T24	
	24 Volt control transformer	E20T31	
	3-Pole relay for motor contactor, (24 volt coil)	F5T2	
	3-Pole relay mounting base	5V013	

## Control Panel Parts - E20T40-RL &amp; E20T40-SCA - Installed on RL Models

	Complete Control Panel (2 lights)	E20T40-RL	
	Complete Control Panel (6 lights)	E20T40-SCA	
	24 Volt control transformer	E20T31	
	Control board (1 ~ 10 amp range)	E20T48	
	Control board (1 ~ 15 amp range)	E20T87	
	Overload reset button (N.O.)	E20T23	
	Snap-in On-off rocker switch	E20T24	
	4-Pole contactor 24 volt coil for flaker drive motor	E20T44	
	230 VAC single pole, double throw relay for water pump	E20T45	
	Relay base socket for above relay	E20T46	
	2 amp fuse (600 vlot) - 2 required	E20T49	
	Fuse holder	E20T52	
	Off-Delay Timer	5V012	

## Photoeye Replacement Parts - Old Style

	Power Module (CM5RB)	E10U28-3	
	Receiver (Black cable, PT400)	E10U28-2	
	Emitter (Gray cable, LR400)	E10U28-1	
	Bracket (single - 2 required)	E10U42	
	11 Bin Base	5V013	

## Photoeye Replacement Parts - New Style

	Photoeye kit (power module, receiver, emitter, brackets)	E20T73	
	Power Module(Level control Relay R1)	E20T68	
	Emitter for RLE Models (20" cable with molex plug)	E20T104	
	Receiver for RLE Models (20" cable with molex plug)	E20T105	
	Emitter for RL Models (15' cable)	E20T104-NP	
	Receiver for RL Models (15' cable)	E20T105-NP	
	Bracket (single - 2 required)	E10U44	
	11 Pin Base	5V013	

## Neon Indicating Lights

	Green 230VAC (compressor run light - SCA control panel)	LGX-2	
	Amber 230VAC (low suction pressure pump down light - SCA control panel)	LAN-2	
	Red 230VAC (low oil pressure& high discharge pressure light - SCA control panel)	LRN-2	
	Green 24VAC (flaker run light - RL & SCA control panels)	LGX-24	
	Red 24VAC (motor overload light - RL & SCA control panels)	LRN-24	

## Low water Cutoff

	Low Water Cutoff switch Retrofit		F5H31	
--	----------------------------------	--	-------	--

**TABLE 3 Replacement Water Filters Systems, Cartridges & Miscellaneous Parts**

**Water Filters & Parts**

	Water Filter System for Model 1000 & 2000 (2.5 inch Diameter)	E10H53	
	Filter cartridge for E10H53 for 1000-2000 (2.5 Inch Diameter)	E10H56	
	Blue housing for E10H53	E10H58	
	O-Ring for E10H53	E10H74	
	Wrench for E10H53	SW-1	
	Pre-filter cartridge for E10H71	E10H72	
	Replacement filter cartridge for old style E10H47	E10H43	
	Replacement pre-filter core for old style E10H47	E10H46	
	Housing for E10H46 pre-filter core	E10H45	

**Miscellaneous**

	USDA bearing lubricant	E20K6	
	Ice machine nickel safe cleaner - 16oz bottle	E10V1	
	Ice machine sanitizer - 16oz bottle	E10V31	
	Clock timer retrofit kit	E20T35-KT	
	Knob for clock timer	E20T107	
	Clock timer	E20T35-1	
	Wind up timer	E20T35-2	
	Low water float switch for 4000-RL flakers	E10H36-KT	
	Replacement float switch	E10H36	
	Low water switch for 1000-RLE flaker	F5H31	
	Low water level switch for RLE flakers	E10H38-KT	

**TABLE 6 Replacement Expansion Valves**

		R-404A		R-22 / R-407	
1000	Standard TXV with Strainer -Remote low with Condenser	F5V18-KT		F5V17-KT	
1000	Balance Port TXV with Strainer- Remote Low on The Rack	F5V20-KT		F5V19-KT	

		R-507		R-408A	
1000	Standard TXV with Strainer -Remote low with Condenser	F5V25-KT		F15V18-KT	
1000	Balance Port TXV with Strainer- Remote Low on The Rack	F5V24-KT		F5V20-KT	