



Replacement parts for 76-RL, RLA, RLR, 75E, 76ES

Rapid Freeze • Ice Flakers



TABLE	DESCRIPTION	PAGE
1	Cross Section Drawing for 70/71 series 15,000 pound ice machines	2
2	Replacement parts for 70/71 Series 15,000 pound ice machines	3 ~ 4
3	Replacement parts for control panels	5
4	Replacement parts for water filters and misc.	6
	Replacement Expansion Valves	6

Minimum Parts Order U.S. \$ 100 NET

Please have model number and serial number of ice flaker ready when ordering replacement parts.

Number in parenthesis noted on some part descriptions indicates quantities
if more than one is required, list price each

Howe Corporation · 1650 N. Elston Ave. · Chicago, IL. 60642-1585
Tel 773-235-0200 · Fax 773-235-0269

[Email: parts@howecorp.com](mailto:parts@howecorp.com)

[Website: www.howecorp.com](http://www.howecorp.com)

Models 76-RL, RLA, RLR, ES
Flake Ice Machine Cross-Section

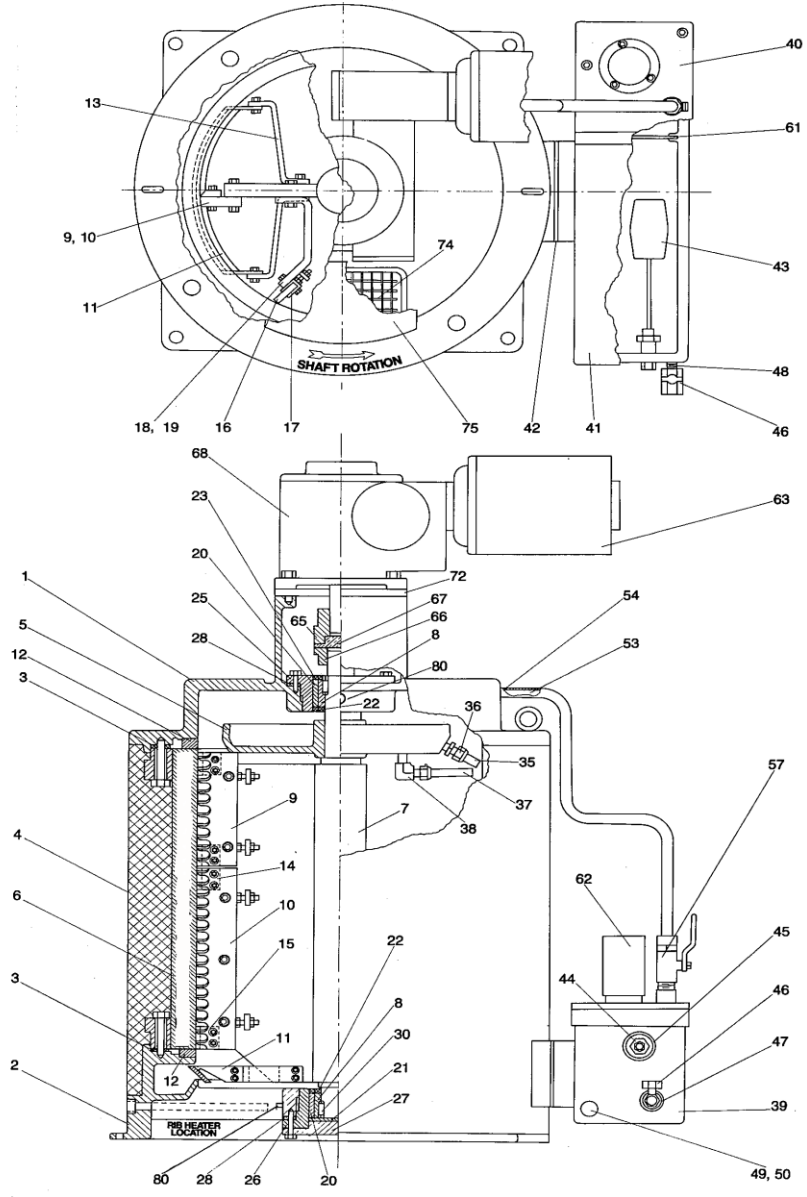


TABLE 1	Replacement parts for models	76-RL, RLA, RLR,
Item No.	Part Description	
3	Insulated lug spacers (8)	E50J2
7	Main shaft	E75D1 P.O.A.
8	Shaft sleeve	E50D2
9	Top ice blade 20 ½" L, 12 ½" L, 20 ½" L	E20E2
9a	Nuts, Bolts & washers (top ice blade)	E20E6
10	Bottom ice blade	E30E3
10a	Nuts, Bolts & washers (bottom ice blade)	E30E5
	Ice Blade Adjustment Gauge kit. Set of seven feeler gauges for ice blade adjustment	E10E15
11	Ice deflector blade	E50G5
11a	Nuts, Bolts & washers (ice deflector)	E50G8
12	Insulating ring (2)	E50J1
	Insulating Ring Repair Tool	E50J6
12a	Insulating ring adhesive - 2 pint	7V033
13	Ice deflector bracket (2)	E50G9
14 or 15	Top & Bottom auxiliary ice scraper (2)	E20E4
15a	Nuts, Bolts & washers (aux. Ice scraper)	E20E7
16	Squeegee	E75F3
17	Squeegee wrapper	E75F4
17a	Nuts, Bolts & washers (squeegee wrapper)	E75F8
18	Top squeegee bracket	E75F1
19	Bottom squeegee bracket	E50F1
20	Main shaft bearings (2)	E50K1
21	Bottom bearing thrust plate	E50K2
22 & 23	Main bearing grease seal -Chromed (3)	E50K14
25	Top main bearing retainer	E50K3
25a	Top bearing replacement kit (includes: bearing, 2-seals, shaft sleeve)	E50K10
	Top bearing retainer assembly (includes: bearing retainer with pressed in bearing, 2 seals, shaft sleeve, pull-out)	E50K3-KT
26	Bottom main bearing retainer	E50K4
26a	Bottom bearing replacement kit (includes: bearing, 1-seal, shaft sleeve, bearing plate)	E50K11
	Bottom bearing retainer assembly (includes: bearing retainer with pressed in bearing, seal, shaft sleeve, bearing)	E50K4-KT
27	Bottom bearing cover	E50K5
28	Main bearing pull-out washer (2)	E50K6
35 & 36	Water distribution side spout & fitting (11)	E50H19
37 & 38	Water distribution bottom spout & fitting	E50H31
5	Water Distribution Pan (no fittings)	E50H1
40	Water sump bolt down cover (water pump side)	E50H11
41	Water sump removable cover	E50H15
42	Water sump gasket	E50J3
43	Water float valve	E50H18

44	Water float valve fitting	CNBHF-SG-BR08
53	Water tube kit with fitting	E50H38-KT
56	Water tube fitting	CNM-SG-
57	Water tube regulating valve	E50H24
62	Water pump 230-460/3/50-60	E50Q1
	Water pump 220-230/1/50-60	E50Q2
62	Water pump 575/3/60	E50Q9
	Water Sump Tank (no covers)	E50H8
	Water Sump Tank (with covers)	E50H8-KT
63	Drive motor 208-230-460/3/50-60 1 HP O.D.P.	E50M1
	Drive motor 230/1/60, 1 HP O.D.P.	E50M2
	Drive Motor 220/1/50, 1 HP, O.D.P.	E50M3
	Drive motor 208-230-460/3/50-60 1 HP TEFC	E50M4
	Drive motor 220/380/3/50 TEFC	E50M5
	Drive Motor 208-230/1/60 1 HP, TEFC	E50M6
	Drive Motor 110/200-220/1/50 1 HP, TEFC	E50M7
	Drive motor 220/-380/3/50 O.D.P.	E50M9
65,66,67	Flexible coupling - complete	E50N1
68	Speed reducer 60 cycle 750:1 ratio (935 MDVD 071XOPS)	E50R1-935
	Speed Reducer 50 Cycle 600:1 ratio	E50R2-935
75	Handhole cover removable	E50A2
	Liquid Line Solenoid Valve (single circuit) (1 req.)	B19S2
	Liquid Line Solenoid Valve (Dual circuit) (2 req.)	B14S2
	Replacement Rib Heater Element (3 required) (150 watts each)	HT150-240-037X80
	Replacement Rib Heater Element (3 required) (500 watts each)	HT500-240-037X80
	Time-delay fuse 7.5 amp (required for 500 watts rib heater elements)	5V023
	Condensate Drain Pan for 51-RL, 76-RL & 101-RL Ice Flakers	ILS-283

TABLE 2 Replacement Control Panel Parts				
Control Panel Parts - F5U4 & E10U45 - Installed on RLE Models				
	Control board, 24VAC.			E20T48
	Overload reset button (N.O.)			E20T23
	Snap-in On-off rocker switch			E20T24
	24 Volt control transformer			E20T31
	3-Pole relay for motor contactor, (24 volt coil)			F5T2
	3-Pole relay mounting base			5V013
Control Panel Parts - E20T40-RL & E20T40-SCA - Installed on RL Models				
	Complete Control Panel (2 lights)			E20T40-RL
	Complete Control Panel (6 lights)			E20T40-SCA
	24 Volt control transformer			E20T31
	Control board (1 ~ 10 amp range)			E20T48
	Control board (1 ~ 15 amp range)			E20T87
	Overload reset button (N.O.)			E20T23
	Snap-in On-off rocker switch			E20T24
	4-Pole contactor 24 volt coil for flaker drive motor			E20T44
	230 VAC single pole, double throw relay for water pump			E20T45
	Relay base socket for above relay			E20T46
	2 amp fuse (600 vlot) - 2 required			E20T49
	Fuse holder			E20T52
	Off-Delay Timer			5V012
Photoeye Replacement Parts - Old Style				
	Power Module (CM5RB)			E10U28-3
	Receiver (Black cable, PT400)			E10U28-2
	Emitter (Gray cable, LR400)			E10U28-1
	Bracket (single - 2 required)			E10U42
	11 Bin Base			5V013
Photoeye Replacement Parts - New Style				
	Photoeye kit (power module, receiver, emitter, brackets)			E20T73
	Power Module(Level control Relay R1)			E20T68
	Emitter for RLE Models (20" cable with molex plug)			E20T104
	Receiver for RLE Models (20" cable with molex plug)			E20T105
	Emitter for RL Models (15' cable)			E20T104-NP
	Receiver for RL Models (15' cable)			E20T105-NP
	Bracket (single - 2 required)			E10U44
	11 Pin Base			5V013
Neon Indicating Lights				
	Green 230VAC (compressor run light - SCA control panel)			LGX-2
	Amber 230VAC (low suction pressure pump down light - SCA control panel)			LAN-2
	Red 230VAC (low oil pressure& high discharge pressure light - SCA control panel)			LRN-2
	Green 24VAC (flaker run light - RL & SCA control panels)			LGX-24
	Red 24VAC (motor overload light - RL & SCA control panels)			LRN-24

TABLE 3 Replacement Water Filters Systems, Cartridges & Miscellaneous Parts			
Water Filters & Parts			
	Water Filter System for Model 1000 & 2000 (2.5 inch Diameter)	E10H53	
	Water Filter System for Model 4000 & 6000 (4.5 inch Diameter)	E10H54	
	Water Filter System for all other Models	E10H55	
	Filter cartridge for E10H53 for 1000-2000 (2.5 Inch Diameter)	E10H56	
	Filter cartridge for E10H54 & E10H55 (4.5 inch diameter)	E10H57	
	Blue housing for E10H54 & E10H55	E10H69	
	Blue housing for E10H53	E10H58	
	O-Ring for E10H53	E10H74	
	O-Ring for E10H54 & E10H55	E10H63	
	Filter Bracket for E10H55	E10H75	
	Wrench for E10H53	SW-1	
	Wrench for E10H54 & E10H55	SW-4	
	Pre-filter system for E10H55	E10H71	
	Pre-filter cartridge for E10H71	E10H72	
	Replacement filter cartridge for old style E10H47	E10H43	
	Replacement pre-filter core for old style E10H47	E10H46	
	Housing for E10H46 pre-filter core	E10H45	
Miscellaneous			
	USDA bearing lubricant	E20K6	
	Ice machine nickel safe cleaner - 16oz bottle	E10V1	
	Ice machine sanitizer - 16oz bottle	E10V31	
	Clock timer retrofit kit	E20T35-KT	
	Knob for clock timer	E20T107	
	Clock timer	E20T35-1	
	Wind up timer	E20T35-2	
	Low water float switch for 4000-RL flakers	E10H36-KT	
	Replacement float switch	E10H36	
	Low water switch for 1000-RLE flaker	F5H31	
	Low water level switch for RLE flakers	E10H38-KT	

TABLE 4 Replacement Expansion Valves			
		R-404A/R-408A/	R-22 / R-407
15,000	Standard TXV with Strainer-Remote low with Condenser	E75V3-KT	E75V2-KT
15,000	Balance Port TXV with Strainer -Remote low Rack unit	E75V5-KT	E75V4-KT