



Replacement parts for
Rapid Freeze® Ice Flaker

Model 2000 RL



TABLE	DESCRIPTION	PAGE
1	Cross section drawing for 2000 pound ice flaker	2
2	Replacement parts for 2000 pound ice machines	3 ~ 5
3	Replacement parts for control panels	6
4	Replacement parts for water filters and misc.	6 ~ 7
	Replacement Expansion Valves	7

Minimum Parts Order U.S. \$ 100 NET

Please have model number and serial number of ice flaker ready when ordering replacement parts.
Number in parenthesis noted on some part descriptions indicates quantities
if more than one is required, list price each

Howe Corporation · 1650 N. Elston Ave. · Chicago, IL. 60642-1585
Tel 773-235-0200 · Fax 773-235-0269

[Email: parts@howecorp.com](mailto:parts@howecorp.com)
[Website: www.howecorp.com](http://www.howecorp.com)

**Models 2000-RLE, RLA, RLR, SCA, SCW, 11ES, EFS, ESS
Flake Ice Machine Cross-Section**

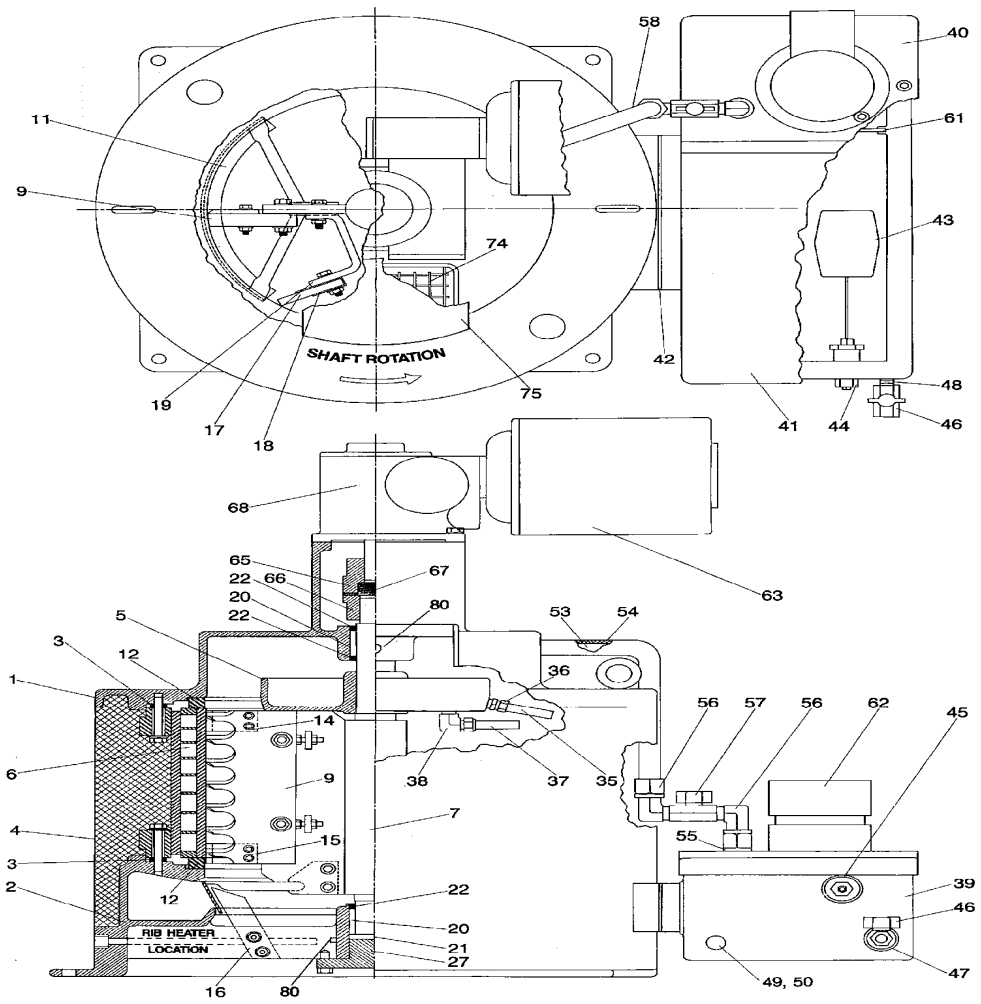


TABLE 1

TABLE 1	Replacement parts 2000	2000-RLE,
Item No.	Part Description	Part Numbers
3	Insulated Lug Spacers (8)	E20J4
7	Main Shaft	E10D2
9	Ice Blade 8 ½" L, 12 ½" L, 20 ½" L	E10E2
9a	Nuts, bolts & washers (Ice Blade)	E10E5
	Ice Blade Adjustment Gauge kit, set of seven gauges.	E10E15
11	Ice deflector	E10G1
	Ice Deflector Kit, with Scraper & Backing Plate	E10G6-KT
11a	Nuts, bolts & washers (ice deflector)	E20G5
12	Insulating Ring (2)	E10J1
	Insulating Ring Repair Tool	E10J8
14 or 15	Top or bottom auxiliary ice scraper (2)	E20E4
15a	Nuts, bolts & washers (aux. Ice scraper)	E20E7
16	Ice deflector scraper (only)	E20G4
	Ice Deflector Scraper Backing Plate (only)	E20G7
	Ice Deflector Scraper Kit (with backing plate)	E20G9-KT
	Nuts, bolts & washers (ice deflector scraper)	E20G6
17	Squeegee 8 ½" L, 12 ½" L, 20 ½" L	E10F4
17a	Ozone protected Squeegee 8 ½" L, 12 ½" L, 20 ½" L	E10F4-OZ
18	Squeegee wrapper	E10F9
18a	Nuts, bolts & washers (squeegee wrapper)	E10F8
19	Squeegee bracket	E10F11
19a	Squeegee Bracket (Seawater)	E10F7
20	Main shaft bearings (2)	E20K1
21	Bottom bearing thrust plate	E20K2
22	Main bearing grease seals (3)	E20K3
22a	Bearing replacement kit (2 bearings, 1 plate & 3 seals, 1 bottom bearing cover gasket)	E20K4
	Bearing removal / replacement tool kit	E10T1
27	Bottom bearing cover	E10B8
35 & 36	Water distribution side spout & fitting	E10H18 (6)
	Water distribution side spout, for use with plastic distribution pan	E10H73 (6)
37 & 38	Water distribution bottom spout / fitting	E10H17
5	Water Distribution pan assembly (includes dist. Tubes/fittings) (Plastic Pan / Tubes)	E10H51
	Water Distribution pan assembly (includes dist. Tubes/fittings) (Aluminum Pan / Copper Tubes)	N/A
5	Seawater Distribution Pan	E30H9
5	Seawater Distribution Pan Cover	E10H15
35 & 36	Water distribution side spout & fitting (For Seawater Flake Ice Machines Only)	E20H39 (3)
37 & 38	Water distribution bottom spout / fitting (For Aluminum Pan for Seawater Flake Ice Machines)	E10H17
40	Water sump removable cover (plastic, access side Graymills)	F5H25-4
41	Water sump removable cover (cast aluminum, access side)	N/A
	Water sump cover (cast aluminum, pump side)	N/A
41		
42	Water sump gasket	E20J2

43	Water float valve	E10H79
	Water Float Valve Assembly (<i>Shipboard freshwater or seawater & land based seawater</i>)	E50H18
	Water float Valve Circular - 5" arm (old style)	E20P1
44	Water float valve "bulkhead" fitting	N/A
53	Water tube kit with regulating valve	E10H67-KT
56	Water tube fitting (2) (for copper tube/horizontal valve)	E10H67- N/A
57	Water tube regulating valve	E10H59
61	Water sump screen	N/A
62	Replacement Water pump 115-230/1/60 ¹ NEMA 4 for 4klbs&6klbs.	E30Q1
	Replacement Water pump assembly w/mounting plate, ball valve, tubing (Graymills sump) 230/1/50-60 ¹ (for RL)	E10Q7
	Replacement Water pump assembly w/mounting plate, ball valve, tubing, with Molex Plug, (Graymills sump) 230/1/50-60 ¹ (for RLE models only May 2006 to present) Plastic cover	E10Q7-P
	Replacement Water pump Assembly w/mounting plate, ball valve, tubing 230/1/50-60 ^{RL models}	E10Q5
	Replacement Water pump Assembly w/mounting plate, ball valve, tubing, with Molex Plug 230/1/50-60 (April 2006 and OLDER) Metal cover	E10Q5-P
	Water sump assembly for RL Models	E10H61
	Water sump assembly for RLE Models	E10H61-P
	Drain Lines for Sump	
	Water pump - seawater 115-230/1/50-60	E20Q5
63 *** See drive motor exceptions for 2000RL(E)	Drive motor 115-230/1/60, 1/3 HP, W/ Molex plug.	E20M3-P
	Drive motor 115-230/1/60, 1/3 HP, ½ HP	E20M3
	Drive motor 110-220/1/50, 1/3HP, ½ HP	E20M10
	Drive motor 240/1/50, 1/3 HP	E20M11
	Drive motor 380/3/50, 1/3HP, ½ HP	E20M2
	Drive motor 230-460/3/60, 1/3HP, ½ HP	E20M7
	Drive motor 230/1/60 TEFC, 1/3HP, ½ HP (for seawater)	E20M3
	Drive motor 208-230-460/3/60 TEFC, ½ HP (for seawater)	N/A
	Drive motor 380/3/50, TEFC, 1/3 HP (for seawater)	E20M5
65,66,67	Flexible coupling – complete (for use with gearmotor)	E10N5
	Flexible coupling - complete (for use with gearbox)	E10N4
68	Speed reducer for 60cy. 920 MDVD 750:1	E10R6
	Speed reducer for 50cy. 920 MDVD 600:1	E10R5
	Speed reducer for 60cy. 926MDVD 600:1	N/A
	Speed reducer for 50cy. 926MDVD 450:1	N/A

75a	Handhole cover (bolt down)	E10A5
	Set of 3 teflon coated stainless steel rib covers	E10T7
	Replacement rib heater element (3)	H1150/240-23750
	Speed Reducer oil (synthetic)	SR-OIL-SYN
	Liquid Line Solenoid Valve (RLE model flakers) W /MCK-1S Coil (Spade Terminals)	B6S1-050
	Liquid Line Solenoid Valve (RL model flakers) W /MCK-1 Coil	B6S1-050
	Liquid Line Solenoid Valve (RL model flakers) W /MCK-2 Coil	N/A

*****Drive Motor Exceptions for 2000 RL(E) *****	
F5M2	If 2000lb flaker is 2006 or earlier, check history card. If used F5M2 the customer has to get Gearbox, Drive Motor and flex coupling because the F5M2 use was discontinued in late 2006

To help determinate which water float valve & water pump to use with which flake ice machine
Use the following tables:

2000 & 3000 "RLE" Models use pumps with -P / 2000 & 3000 "RL" Models use E10Q5 pump

Water Pumps:

Flaker Manufacture Date		Replacement Water Pumps for Freshwater Flake Ice Machines
Start Date	End Date	2000-lbs
Jan-62	Jul-86	N/A
Jul-86	Jan-91	E30Q1
Jan-91	Jul-94	Not Available Need New Sump Assembly
Jul-94	Dec-00	E10Q5
Jan-01	May-06	E10Q5-P
May-06	Present	E10Q7-P

Float Valves

Flaker Manufacture Date		Replacement Float Valves for Freshwater Flake Ice Machines
Start Date	End Date	2000-lbs
Jan-62	Jul-86	E20P1
Jul-86	Jan-91	E50H18
Jan-91	Present	E10H79

TABLE 2

Replacement Control Panel Parts

TABLE 2

Control Panel Parts - FSU4 & E10U45 - Installed on RLE Models

Control board, 24VAC.	E20T48	
Overload reset button (N.O.)	E20T23	
Snap-in On-off rocker switch	E20T24	
24 Volt control transformer	E20T31	
3-Pole relay for motor contactor, (24 volt coil)	F5T2	
3-Pole relay mounting base	5V013	

Control Panel Parts - E20T40-RL & E20T40-SCA - Installed on RL Models

Complete Control Panel (2 lights)	E20T40-RL	
Complete Control Panel (6 lights)	E20T40-SCA	
24 Volt control transformer	E20T31	
Control board (1 ~ 10 amp range)	E20T48	
Control board (1 ~ 15 amp range)	E20T87	
Overload reset button (N.O.)	E20T23	
Snap-in On-off rocker switch	E20T24	
4-Pole contactor 24 volt coil for flaker drive motor	E20T44	
230 VAC single pole, double throw relay for water pump	E20T45	
Relay base socket for above relay	E20T46	
2 amp fuse (600 vlot) - 2 required	E20T49	
Fuse holder	E20T52	
Off-Delay Timer	5V012	

Photoeye Replacement Parts - Old Style

Power Module (CM5RB)	E10U28-3	
Receiver (Black cable, PT400)	E10U28-2	
Emitter (Gray cable, LR400)	E10U28-1	
Bracket (single - 2 required)	E10U42	
11 Bin Base	5V013	

Photoeye Replacement Parts - New Style

Photoeye kit (power module, receiver, emitter, brackets)	E20T73	
Power Module(Level control Relay R1)	E20T68	
Emitter for RLE Models (20" cable with molex plug)	E20T104	
Receiver for RLE Models (20" cable with molex plug)	E20T105	
Emitter for RL Models (15' cable)	E20T104-NP	
Receiver for RL Models (15' cable)	E20T105-NP	
Bracket (single - 2 required)	E10U44	
11 Pin Base	5V013	

Neon Indicating Lights

Green 230VAC (compressor run light - SCA control panel)	LGX-2	
Amber 230VAC (low suction pressure pump down light - SCA control panel)	LAN-2	
Red 230VAC (low oil pressure& high discharge pressure light - SCA control panel)	LRN-2	
Green 24VAC (flaker run light - RL & SCA control panels)	LGX-24	
Red 24VAC (motor overload light - RL & SCA control panels)	LRN-24	

Table 3

Replacement Water Filters Systems, Cartridges & Miscellaneous Parts

TABLE 3

Water Filters & Parts

Water Filter System for Model 1000 & 2000 (2.5 inch Diameter)	E10H53	
Water Filter System for Model 4000 & 6000 (4.5 inch Diameter)	E10H54	
Water Filter System for all other Models	E10H55	
Filter cartridge for E10H53 for 1000-2000 (2.5 Inch Diameter)	E10H56	
Filter cartridge for E10H54 & E10H55 (4.5 inch diameter)	E10H57	
Blue housing for E10H54 & E10H55	E10H69	
Blue housing for E10H53	E10H58	
O-Ring for E10H53	E10H74	
O-Ring for E10H54 & E10H55	E10H63	
Filter Bracket for E10H55	E10H75	
Wrench for E10H53	SW-1	
Wrench for E10H54 & E10H55	SW-4	
Pre-filter system for E10H55	E10H71	
Pre-filter cartridge for E10H71	E10H72	
Replacement filter cartridge for old style E10H47	E10H43	

	Replacement pre-filter core for old style E10H47	E10H46	
	Housing for E10H46 pre-filter core	E10H45	
Miscellaneous			
	USDA bearing lubricant	E20K6	
	Ice machine nickel safe cleaner - 16oz bottle	E10V1	
	Ice machine sanitizer - 16oz bottle	E10V31	
	Clock timer retrofit kit	E20T35-KT	
	Knob for clock timer	E20T107	
	Clock timer	E20T35-1	
	Wind up timer	E20T35-2	
	Low water float switch for 4000-RL flakers	E10H36-KT	
	Replacement float switch	E10H36	
	Low water switch for 1000-RLE flaker	F5H31	
	Low water level switch for RLE flakers	E10H38-KT	

TABLE 4
Replacement Expansion Valves

TABLE 4

		R-404A		R-22 / R-407	
1000	Standard TXV with Strainer	F5V18-KT		F5V17-KT	
2000	Standard TXV with Strainer	E10V23-KT		E10V22-KT	
3000	Standard TXV with Strainer	E15V6-KT		E15V5-KT	
4000	Standard TXV with Strainer	E20V11-KT		E20V10-KT	
4000 – Sewater	Standard TXV with Strainer	E20V16-KT		E20V15-KT	
6000	Standard TXV with Strainer	E30V6-KT		E30V5-KT	
6000 – Seawater	Standard TXV with Strainer	E30V11-KT		E50V5-KT	
10,000	Standard TXV with Strainer	E50V6-KT		E50V5-KT	
15,000	Standard TXV with Strainer	E75V3-KT		E75V2-KT	
20,000	Standard TXV with Strainer	(2) E50V6-KT		(2) E50V5-KT	
Remote low with Condenser					
1000	Balance Port TXV with Strainer	F5V20-KT		F5V19-KT	
2000	Balance Port TXV with Strainer	E10V25-KT		E10V24-KT	
3000	Balance Port TXV with Strainer	E15V7-KT		E10V24-KT	
3000 for	Balance Port TXV with Strainer	E15V10-KT			
4000	Balance Port TXV with Strainer	E15V7-KT		E20V12-KT	
4000 – Sewater	Balance Port TXV with Strainer	E20V16-KT		E20V15-KT	
6000	Balance Port TXV with Strainer	E30V7-KT		E20V12-KT	
6000 – Seawater	Balance Port TXV with Strainer	E30V11-KT		E50V5-KT	
10,000	Balance Port TXV with Strainer	E50V6-KT		E50V7-KT	
15,000	Balance Port TXV with Strainer	E75V5-KT		E75V4-KT	
20,000	Balance Port TXV with Strainer	(2) E50V6-KT		(2) E50V7-KT	
Remote low Rack unit					
		R-507		R-408A	
1000	Standard TXV with Strainer	F5V25-KT		F15V18-KT	
2000	Standard TXV with Strainer	E10V23-KT			
3000	Standard TXV with Strainer	E15V6-KT		E10V23-KT	
4000	Standard TXV with Strainer	E20V11-KT			
6000	Standard TXV with Strainer	E30V12-KT		E30V6-KT	
Balance Port TXV with Strainer					
1000	Balance Port TXV with Strainer	F5V24-KT		F5V20-KT	
2000	Balance Port TXV with Strainer	E10V25-KT		E10V30-KT	
3000	Balance Port TXV with Strainer	E15V7-KT		E10V25-KT	
4000	Balance Port TXV with Strainer	E15V7-KT		E15V7-KT	
6000	Balance Port TXV with Strainer	E30V11-KT		E30V7-KT	