



Replacement parts for Model 4000RL

Rapid Freeze ® Ice Flakers



TABLE	DESCRIPTION	PAGE
1	Cross Section Drawing for 4000 series ice machines Replacement parts for 4000 pound ice machines Water Pump and Float Part Numbers based on SN	2 3 ~ 4 5
2	Replacement parts for control panels	5
3	Replacement parts for water filters and misc.	6
4	Replacement Expansion Valves	6

Minimum Parts Order U.S. \$ 100 NET

Please have model number and serial number of ice flaker ready when ordering replacement parts.

Number in parenthesis noted on some part descriptions indicates quantities

if more than one is required, list price each

Howe Corporation · 1650 N. Elston Ave. · Chicago, IL. 60642-1585
Tel 773-235-0200 · Fax 773-235-0269

[Email: parts@howecorp.com](mailto:parts@howecorp.com)

[Website: www.howecorp.com](http://www.howecorp.com)

Models 4000-RL, RLA, RLR, SCA, SCW, 21ES, EFS, ESS

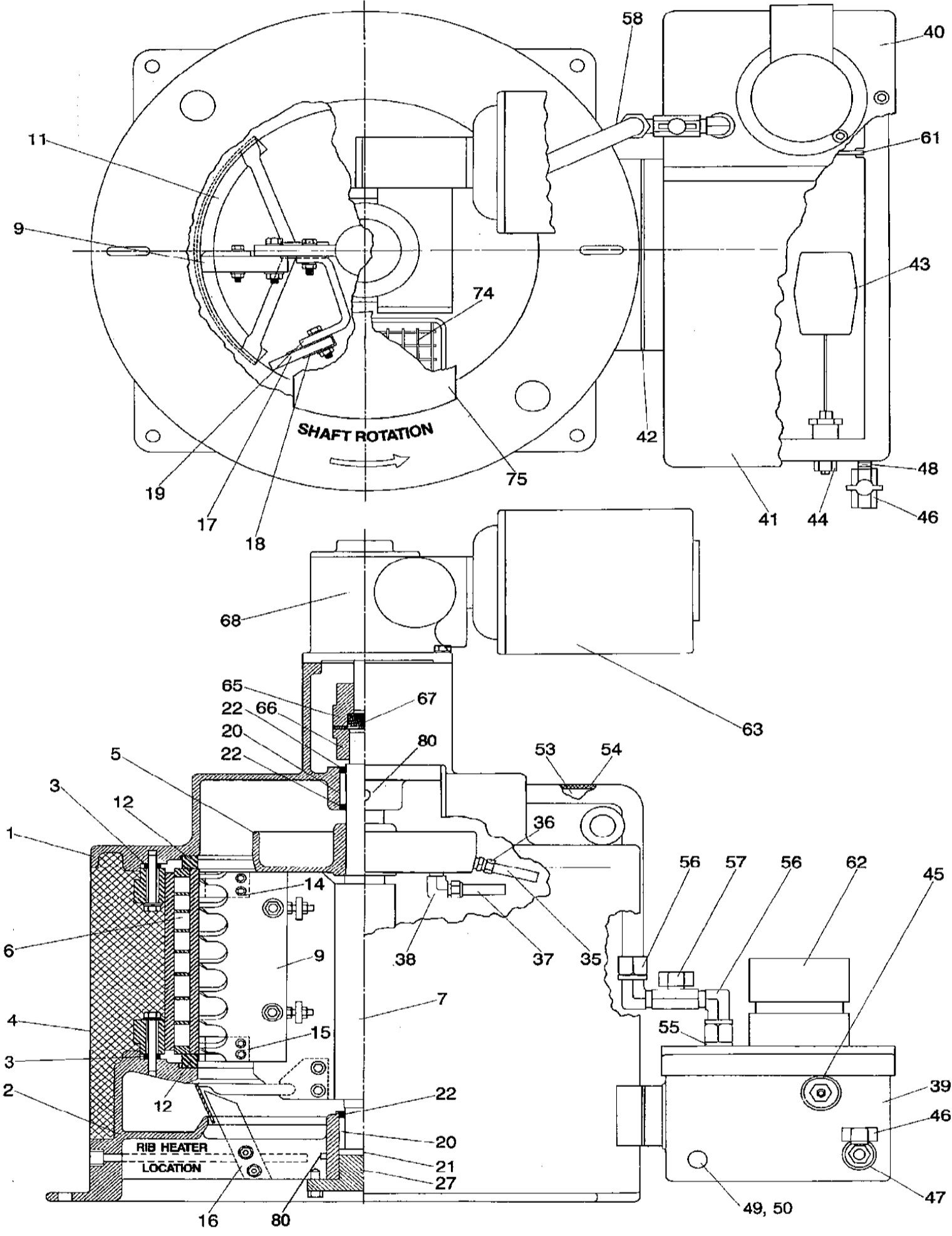


TABLE 1 Replacement parts for models listed to		4000-RL, RLA,
Item No.	Part Description	Part Numbers
3	Insulated Lug Spacers (8)	E20J4
7	Main Shaft	E20D2
9	Ice Blade 8 ½" L, 12 ½" L, 20 ½" L	E20E2
9a	Nuts, bolts & washers (Ice Blade)	E20E6
	Ice Blade Adjustment Gauge kit, set of seven gauges.	E10E15
11	Ice deflector	E20G2
	Ice Deflector Kit, with Scraper & Backing Plate	E20G8-KT
11a	Nuts, bolts & washers (ice deflector)	E20G5
12	Insulating Ring (2)	E20J1
	Insulating Ring Repair Tool	E10J8
14 or 15	Top or bottom auxiliary ice scraper (2)	E20E4
15a	Nuts, bolts & washers (aux. Ice scraper)	E20E7
	Ice deflector scraper (only)	E20G4
	Ice Deflector Scraper Backing Plate (only)	E20G7
16	Ice Deflector Scraper Kit (with backing plate)	E20G9-KT
	Nuts, bolts & washers (ice deflector scraper)	E20G6
17	Squeegee 8 ½" L, 12 ½" L, 20 ½" L	E20F4
17a	Ozone protected Squeegee 8 ½" L, 12 ½" L, 20 ½" L	E10F4-OZ
18	Squeegee wrapper	E20F9
18a	Nuts, bolts & washers (squeegee wrapper)	E20F8
19	Squeegee bracket	E20F11
19a	Squeegee Bracket (Seawater)	E20F21
20	Main shaft bearings (2)	E20K1
21	Bottom bearing thrust plate	E20K2
22	Main bearing grease seals (3)	E20K3
22a	Bearing replacement kit (2 bearings, 1 plate & 3 seals, 1 bottom bearing cover)	E20K4
	Bearing removal / replacement tool kit	E10T1
27	Bottom bearing cover	E20B8
35 & 36	Water distribution side spout & fitting	E20H39 (7)
	Water distribution side spout, for use with plastic distribution pan	E20H45 (7)
37 & 38	Water distribution bottom spout / fitting	E20H38
5	Water Distribution pan assembly (includes dist. Tubes/fittings) (Plastic)	E20H44
5	Seawater Distribution Pan	E30H9
5	Seawater Distribution Pan Cover	E10H15
35 & 36	Water distribution side spout & fitting (For Seawater Flake Ice Machines Only)	E20H39 (3)
37 & 38	Water distribution bottom spout / fitting (For Aluminum Pan for Seawater Flake)	E20H38
40	Water sump removable cover (plastic, access side Graymills)	F5H25-4
42	Water sump gasket	E20J2

43	Water float valve	E10H79
	Water float valve Assembly (Shipboard freshwater or seawater & land based seawater)	E50H18
	Water float Valve Circular - 5" arm (old style)	E20P1
53	Water tube kit with regulating valve	E10H67-KT
56	Water tube fitting (2) (for copper tube/horizontal valve)	ELM-CT-NY10X08
57	Water tube regulating valve	E10H59
62	Replacement Water pump 115-230/1/60 ¹ NEMA 4 for 4klbs&6klbs.	E30Q1
	Replacement water pump assembly w/mounting plate, ball valve, tubing (Graymills sump) 230/1/50-60 ¹ (for RL)	E10Q7
	Replacement water pump assembly w/mounting plate, ball valve, tubing, with Molex Plug (Graymills sump)	E10Q7-P
	Replacement water pump Assembly w/mounting plate, ball valve, tubing 230/1/50-60 ^{RL models}	E10Q5
	Replacement water pump Assembly w/mounting plate, ball valve, tubing, with Molex Plug 230/1/50-60 (Anril)	E10Q5-P
	Water sump assembly for RL Models	E10H61
	Water sump assembly for RLE Models	E10H61-P
	Drain Lines for Sump	
	Water pump - seawater 115-230/1/50-60	E20Q5
63	Drive motor 115-230/1/60, 1/3 HP, W/ Molex plug.	E20M3-P
	Drive motor 115-230/1/60, 1/3 HP, ½ HP	E20M3
	Drive motor 110-220/1/50, 1/3HP, ½ HP	E20M10
	Drive motor 240/1/50, 1/3 HP	E20M11
	Drive motor 380/3/50, 1/3HP, ½ HP	E20M2
	Drive motor 230-460/3/60, 1/3HP, ½ HP	E20M7
	Drive motor 230/1/60 TEFC, 1/3HP, ½ HP (for seawater)	E20M3
	Drive motor 208-230-460/3/60 TEFC, ½ HP (for seawater)	E20M4
	Drive motor 380/3/50, TEFC, 1/3 HP (for seawater)	E30M6
65,66,67	Flexible coupling - complete (for use with gearbox)	E20N9-H
	Speed reducer for 60cy. 926MDVD 600:1	E20R4
	Speed reducer for 50cy. 926MDVD 450:1	E20R3

75a	Handhole cover (bolt down)	E20A6
	Set of 3 teflon coated stainless steel rib covers	E20T20
	Replacement rib heater element (3)	HT150/240-037X50
	Speed Reducer oil (synthetic)	SR-OIL-SYN
	Liquid Line Solenoid Valve (RLE model flakers) W /MCK-1S Coil (Spade Terminals)	B6S1-050
	Liquid Line Solenoid Valve (RL model flakers) W /MCK-1 Coil	B6S1-050
	Liquid Line Solenoid Valve (RL model flakers) W /MCK-2 Coil	B9S2

To help determinate which water float valve & water pump to use with which flake ice machine

Use the following tables:

2000 & 3000 "RLE" Models use pumps with -P / 2000 & 3000 "RL" Models use E10Q5 pump

Water Pumps:

Flaker Manufacture Date		Replacement Water Pumps for Freshwater Flake Ice Machines			
Start Date	End Date	2000-lbs	3000-lbs	4000-lbs	6000-lbs
Jan-62	Jul-86	N/A	N/A	N/A	N/A
Jul-86	Jan-91	E30Q1	E30Q1	E30Q1	E30Q1
Jan-91	Jul-94	Not Available Need New Sump Assembly			E30Q1
Jul-94	Dec-00	E10Q5	E10Q5	E10Q5	E30Q1
Jan-01	May-06	E10Q5-P	E10Q5-P	E10Q5	E30Q1
May-06	Present	E10Q7-P	E10Q7-P	E10Q7	E30Q1

Float Valves

Flaker Manufacture Date		Replacement Float Valves for Freshwater Flake Ice Machines			
Start Date	End Date	2000-lbs	3000-lbs	4000-lbs	6000-lbs
Jan-62	Jul-86	E20P1	E20P1	E20P1	E20P1
Jul-86	Jan-91	E50H18	E50H18	E50H18	E50H18
Jan-91	Present	E10H79	E10H79	E10H79	E50H18

TABLE 2

Replacement Control Panel Parts

Control Panel Parts - F5U4 & E10U45 - Installed on RLE Models

Control board, 24VAC.	E20T48
Overload reset button (N.O.)	E20T23
Snap-in On-off rocker switch	E20T24
24 Volt control transformer	E20T31
3-Pole relay for motor contactor, (24 volt coil)	F5T2
3-Pole relay mounting base	5V013

Control Panel Parts - E20T40-RL & E20T40-SCA - Installed on RL Models

Complete Control Panel (2 lights)	E20T40-RL
Complete Control Panel (6 lights)	E20T40-SCA
24 Volt control transformer	E20T31
Control board (1 ~ 10 amp range)	E20T48
Control board (1 ~ 15 amp range)	E20T87
Overload reset button (N.O.)	E20T23
Snap-in On-off rocker switch	E20T24
4-Pole contactor 24 volt coil for flaker drive motor	E20T44
230 VAC single pole, double throw relay for water pump	E20T45
Relay base socket for above relay	E20T46
2 amp fuse (600 vlot) - 2 required	E20T49
Fuse holder	E20T52
Off-Delay Timer	5V012

Photoeye Replacement Parts - Old Style

Power Module (CM5RB)	E10U28-3
Receiver (Black cable, PT400)	E10U28-2
Emitter (Gray cable, LR400)	E10U28-1
Bracket (single - 2 required)	E10U42
11 Bin Base	5V013

Photoeye Replacement Parts - New Style

Photoeye kit (power module, receiver, emitter, brackets)	E20T73
Power Module(Level control Relay R1)	E20T68
Emitter for RLE Models (20" cable with molex plug)	E20T104
Receiver for RLE Models (20" cable with molex plug)	E20T105
Emitter for RL Models (15' cable)	E20T104-NP
Receiver for RL Models (15' cable)	E20T105-NP
Bracket (single - 2 required)	E10U44
11 Pin Base	5V013

Neon Indicating Lights

Green 230VAC (compressor run light - SCA control panel)	LGX-2
Amber 230VAC (low suction pressure pump down light - SCA control panel)	LAN-2
Red 230VAC (low oil pressure& high discharge pressure light - SCA control panel)	LRN-2
Green 24VAC (flaker run light - RL & SCA control panels)	LGX-24
Red 24VAC (motor overload light - RL & SCA control panels)	LRN-24

**TABLE 3
Water Filters & Parts**

Replacement Water Filters Systems, Cartridges & Miscellaneous Parts

	Water Filter System for Model 1000 & 2000 (2.5 inch Diameter)	E10H53	
	Water Filter System for Model 4000 & 6000 (4.5 inch Diameter)	E10H54	
	Water Filter System for all other Models	E10H55	
	Filter cartridge for E10H53 for 1000-2000 (2.5 Inch Diameter)	E10H56	
	Filter cartridge for E10H54 & E10H55 (4.5 inch diameter)	E10H57	
	Blue housing for E10H54 & E10H55	E10H69	
	Blue housing for E10H53	E10H58	
	O-Ring for E10H53	E10H74	
	O-Ring for E10H54 & E10H55	E10H63	
	Filter Bracket for E10H55	E10H75	
	Wrench for E10H53	SW-1	
	Wrench for E10H54 & E10H55	SW-4	
	Pre-filter system for E10H55	E10H71	
	Pre-filter cartridge for E10H71	E10H72	
	Replacement filter cartridge for old style E10H47	E10H43	
	Replacement pre-filter core for old style E10H47	E10H46	
	Housing for E10H46 pre-filter core	E10H45	

Miscellaneous

	USDA bearing lubricant	E20K6	
	Ice machine nickel safe cleaner - 16oz bottle	E10V1	
	Ice machine sanitizer - 16oz bottle	E10V31	
	Clock timer retrofit kit	E20T35-KT	
	Knob for clock timer	E20T107	
	Clock timer	E20T35-1	
	Wind up timer	E20T35-2	
	Low water float switch for 4000-RL flakers	E10H36-KT	
	Replacement float switch	E10H36	
	Low water switch for 1000-RLE flaker	F5H31	
	Low water level switch for RLE flakers	E10H38-KT	

TABLE 4

Replacement Expansion Valves

		R-404A		R-22 / R-407	
4000	Standard TXV with Strainer-Remote low with Condenser	E20V11-KT		E20V10-KT	
4000 – Sewater	Standard TXV with Strainer-Remote low with Condenser	E20V16-KT		E20V15-KT	
4000 – Sewater	Balance Port TXV with Strainer- Remote low Rack unit	E20V16-KT		E20V15-KT	

		R-507		R-408A	
4000	Standard TXV with Strainer-Remote low with Condenser	E20V11-KT			
4000	Balance Port TXV with Strainer- Remote low Rack unit	E15V7-KT		E15V7-KT	