



Replacement parts for Model 3000
Rapid Freeze® Ice Flakers



TABLE	DESCRIPTION	PAGE
1	Cross Section Drawing for 1000 series ice machines	2
4	Replacement parts for 3000 pound ice machines	3~5
5	Replacement parts for control	14
6	Replacement parts for water filters and misc.	15
7	Replacement Expansion Valves	16
	Replacement Mobile Express Bin, Cart Parts & Accessories	17
	Replacement Upright Bin Parts	

Minimum Parts Order U.S. \$ 100 NET

**Please have model number and serial number of ice flaker ready when ordering replacement parts.
 Number in parenthesis noted on some part descriptions indicates quantities
 if more than one is required, list price each**

Howe Corporation · 1650 N. Elston Ave. · Chicago, IL. 60642-1585
 Tel 773-235-0200 · Fax 773-235-0269

[Email: parts@howecorp.com](mailto:parts@howecorp.com)
[Website: www.howecorp.com](http://www.howecorp.com)

Models 3000-RLE, RLA, RLR, SCA, SCW, 16ES, EFS, ESS

Flake Ice Machine Cross-Section

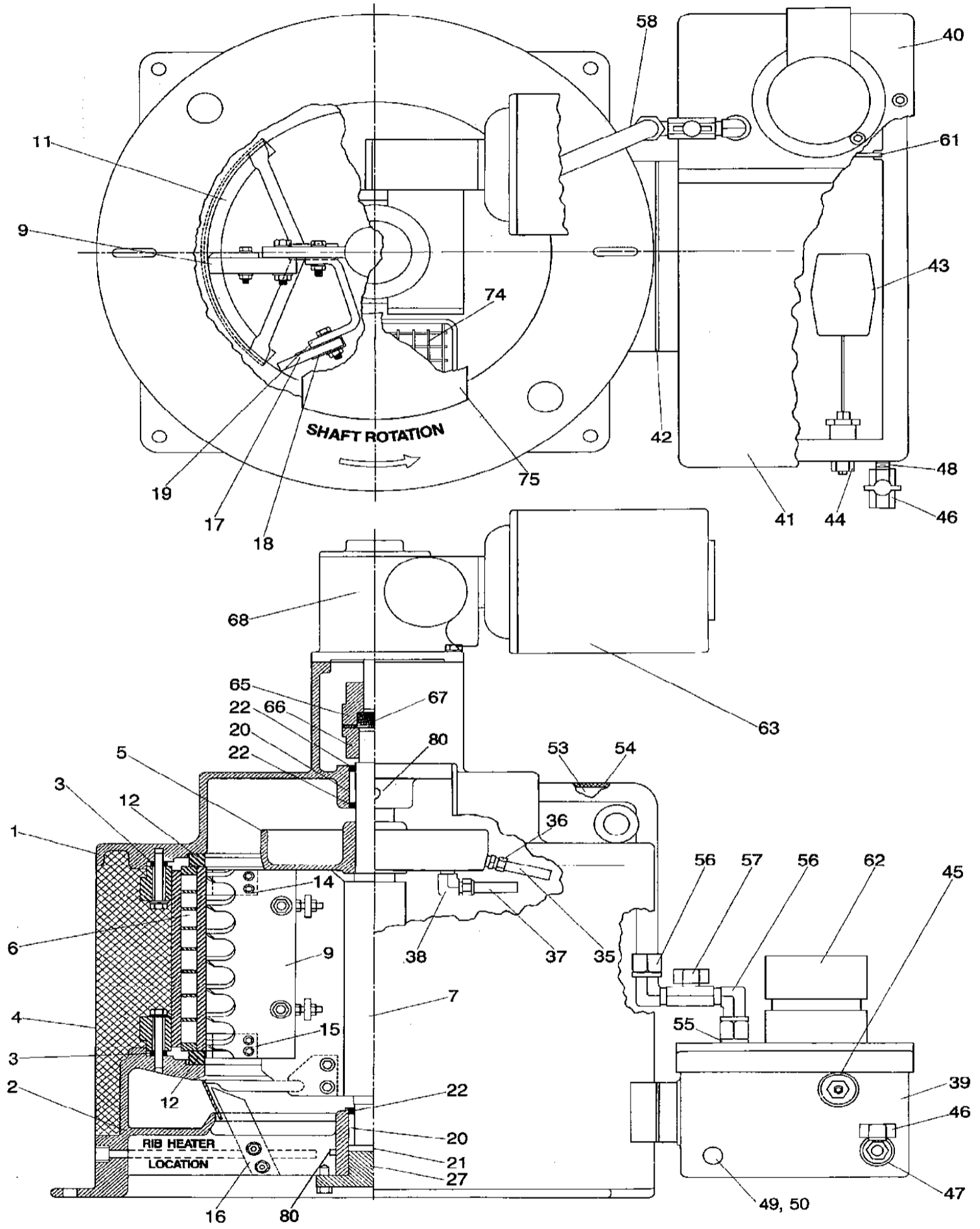


TABLE Replacement parts for models		3000-RLE, RLA,
Item	Part Description	Part Numbers
3	Insulated Lug Spacers (8)	E20J4
7	Main Shaft	E15D2
9	Ice Blade 8 ½" L, 12 ½" L, 20 ½" L	E20E2
9a	Nuts, bolts & washers (Ice Blade)	E20E6
	Ice Blade Adjustment Gauge Kit, set of seven gauges	E10E15
11	Ice deflector	E10G1
	Ice Deflector Kit, with Scraper & Backing Plate	E10G6-KT
11a	Nuts, bolts & washers (ice deflector)	E20G5
12	Insulating Ring (2)	E10J1
	Insulating Ring Repair Tool	E10J8
14 or 15	Top or bottom auxiliary ice scraper (2)	E20E4
15a	Nuts, bolts & washers (aux. ice scraper)	E20E7
	Ice deflector scraper (only)	E20G4
	Ice Deflector Scraper Backing Plate (only)	E20G7
16	Ice Deflector Scraper Kit (with backing plate)	E20G9-KT
	Nuts, bolts & washers (ice deflector scraper)	E20G6
17	Squeegee 8 ½" L, 12 ½" L, 20 ½" L	E20F4
17a	Ozone protected Squeegee 8 ½" L, 12 ½" L, 20 ½" L	E20F4-OZ
18	Squeegee wrapper	E20F9
18a	Nuts, bolts & washers (squeegee wrapper)	E20F8
19	Squeegee bracket	E15F6
19a	Squeegee Bracket (Seawater)	E15F7
20	Main shaft bearings (2)	E20K1
21	Bottom bearing thrust plate	E20K2
22	Main bearing grease seals (3)	E20K3
22a	Bearing replacement kit (2 bearings, 1 plate & 3 seals, 1 bearing removal / replacement tool kit)	E20K4
		E10T1
27	Bottom bearing cover	E10B8
35 & 36	Water distribution side spout & fitting	E10H18 (6)
	Water distribution side spout, for use with plastic distribution pan	E10H73 (6)
37 & 38	Water distribution bottom spout / fitting	E10H17
5	Water Distribution pan assembly (includes dist. Tubes/fittings) (Plastic)	E10H51
5	Seawater Distribution Pan	E30H9
5	Seawater Distribution Pan Cover	E10H15
35 & 36	Water distribution side spout & fitting (For Seawater Flake Ice Machines)	E20H39 (3)
37 & 38	Water distribution bottom spout / fitting (For Aluminum Pan for Seawater)	E10H17
40	Water sump removable cover (plastic, access side Graymills)	F5H25-4
..	Water sump removable cover (cast	N/A

41	aluminum, access side)	
	Water sump cover (cast aluminum,	N/A
41	pump side)	

42	Water sump gasket	E20J2
43	Water float valve	E10H79
	Water float valve Assembly (Shippboard freshwater or seawater & land based seawater)	E50H18
	Water float Valve Circular - 5" arm (old style)	E20P1
44	Water float valve "bulkhead" fitting	N/A
53	Water tube kit with regulating valve	E10H67-KT
56	Water tube fitting (2) (for copper tube/horizontal valve)	ELM-CT-NY10X08
57	Water tube regulating valve	E10H59
61	Water sump screen	N/A
62	Replacement Water pump 115-230/1/60 ¹ NEMA 4 for 4klbs&6klbs.	E30Q1
	Replacement water pump assembly w/mounting plate, ball valve, tubing (Graymills sump) 230/1/50-60 ¹ (for PL)	E10Q7
	Replacement water pump assembly w/mounting plate, ball valve, tubing, with Molex Plug (Graymills sump)	E10Q7-P
	Replacement water pump Assembly w/mounting plate, ball valve, tubing 230/1/50-60 ^{RL models}	E10Q5
	Replacement water pump Assembly w/mounting plate, ball valve, tubing, with Molex Plug 230/1/50-60 (April	E10Q5-P
	Water sump assembly for RL Models	E10H61
	Water sump assembly for RLE Models	E10H61-P
	Drain Lines for Sump	
	Water pump - seawater 115-230/1/50-60	E20Q5
63	Drive motor 115-230/1/60, 1/3 HP, W/ Molex plug.	E20M3-P
	Drive motor 115-230/1/60, 1/3 HP, ½ HP	E20M3
	Drive motor 110-220/1/50, 1/3HP, ½ HP	E20M10
	Drive motor 240/1/50, 1/3 HP	E20M11
	Drive motor 380/3/50, 1/3HP, ½ HP	E20M2
	Drive motor 230-460/3/60, 1/3HP, ½ HP	E20M7
	Drive motor 230/1/60 TEFC, 1/3HP, ½ HP (for seawater)	E20M3
	Drive motor 208-230-460/3/60 TEFC, ½ HP (for seawater)	N/A
	Drive motor 380/3/50, TEFC, 1/3 HP (for seawater)	E20M5
65,66,6	Flexible coupling – complete (for use with gearmotor)	E10N4

7	Flexible coupling - complete (for use with gearbox)	E10N4
---	---	-------

68	Speed reducer for 60cy. 920 MDVD 750:1	E10R6
	Speed reducer for 50cy. 920 MDVD 600:1	E10R5
	Speed reducer for 60cy. 926MDVD 600:1	N/A
	Speed reducer for 50cy. 926MDVD 450:1	N/A
75a	Handhole cover (bolt down)	E10A5
	Set of 3 teflon coated stainless steel rib covers	E10T7
	Replacement rib heater element (3)	HT150/240- 027V50
	Speed Reducer oil (synthetic)	SR-OIL-SYN
	Liquid Line Solenoid Valve (RLE model flakers) W /MCK-1S Coil (Spade Terminals)	B6S1-050
	Liquid Line Solenoid Valve (RL model flakers) W /MCK-1 Coil	B6S1-050
	Liquid Line Solenoid Valve (RL model flakers) W /MCK-2 Coil	N/A

To help determinate which water float valve & water pump to use with which flake ice machine

Use the following tables:

2000 & 3000 "RLE" Models use pumps with -P / 2000 & 3000 "RL" Models use E10Q5 pump

Water Pumps:

Flaker Manufacture Date		Replacement Water Pumps for Freshwater Flake Ice Machines			
Start Date	End Date	2000-lbs	3000-lbs	4000-lbs	6000-lbs
Jan-62	Jul-86	N/A	N/A	N/A	N/A
Jul-86	Jan-91	E30Q1	E30Q1	E30Q1	E30Q1
Jan-91	Jul-94	Not Available Need New Sump Assembly			E30Q1
Jul-94	Dec-00	E10Q5	E10Q5	E10Q5	E30Q1
Jan-01	May-06	E10Q5-P	E10Q5-P	E10Q5	E30Q1
May-06	Present	E10Q7-P	E10Q7-P	E10Q7	E30Q1

Float Valves

Flaker Manufacture Date		Replacement Float Valves for Freshwater Flake Ice Machines			
Start Date	End Date	2000-lbs	3000-lbs	4000-lbs	6000-lbs
Jan-62	Jul-86	E20P1	E20P1	E20P1	E20P1
Jul-86	Jan-91	E50H18	E50H18	E50H18	E50H18
Jan-91	Present	E10H79	E10H79	E10H79	E50H18

TABLE 4

Replacement Control Panel Parts

Control Panel Parts - F5U4 & E10U45 - Installed on RLE Models

Control board, 24VAC.	E20T48
Overload reset button (N.O.)	E20T23
Snap-in On-off rocker switch	E20T24
24 Volt control transformer	E20T31
3-Pole relay for motor contactor, (24 volt coil)	F5T2
3-Pole relay mounting base	5V013

Control Panel Parts - E20T40-RL & E20T40-SCA - Installed on RL Models

Complete Control Panel (2 lights)	E20T40-RL
Complete Control Panel (6 lights)	E20T40-SCA
24 Volt control transformer	E20T31
Control board (1 ~ 10 amp range)	E20T48
Control board (1 ~ 15 amp range)	E20T87
Overload reset button (N.O.)	E20T23
Snap-in On-off rocker switch	E20T24
4-Pole contactor 24 volt coil for flaker drive motor	E20T44
230 VAC single pole, double throw relay for water pump	E20T45
Relay base socket for above relay	E20T46
2 amp fuse (600 vlot) - 2 required	E20T49
Fuse holder	E20T52
Off-Delay Timer	5V012

Photoeye Replacement Parts - Old Style

Power Module (CM5RB)	E10U28-3
Receiver (Black cable, PT400)	E10U28-2
Emitter (Gray cable, LR400)	E10U28-1
Bracket (single - 2 required)	E10U42
11 Bin Base	5V013

Photoeye Replacement Parts - New Style

Photoeye kit (power module, receiver, emitter, brackets)	E20T73
Power Module(Level control Relay R1)	E20T68
Emitter for RLE Models (20" cable with molex plug)	E20T104
Receiver for RLE Models (20" cable with molex plug)	E20T105
Emitter for RL Models (15' cable)	E20T104-NP
Receiver for RL Models (15' cable)	E20T105-NP
Bracket (single - 2 required)	E10U44
11 Pin Base	5V013

Neon Indicating Lights

Green 230VAC (compressor run light - SCA control panel)	LGX-2
Amber 230VAC (low suction pressure pump down light - SCA control panel)	LAN-2
Red 230VAC (low oil pressure & high discharge pressure light - SCA control panel)	LRN-2
Green 24VAC (flaker run light - RL & SCA control panels)	LGX-24
Red 24VAC (motor overload light - RL & SCA control panels)	LRN-24

TABLE 5

Replacement Water Filters Systems, Cartridges & Miscellaneous Parts

Water Filters & Parts

Water Filter System for Model 1000 & 2000 (2.5 inch Diameter)	E10H53
Water Filter System for Model 4000 & 6000 (4.5 inch Diameter)	E10H54
Water Filter System for all other Models	E10H55
Filter cartridge for E10H53 for 1000-2000 (2.5 Inch Diamter)	E10H56
Filter cartridge for E10H54 & E10H55 (4.5 inch diamter)	E10H57
Blue housing for E10H54 & E10H55	E10H69
Blue housing for E10H53	E10H58
O-Ring for E10H53	E10H74
O-Ring for E10H54 & E10H55	E10H63

Filter Bracket for E10H55	E10H75	
Wrench for E10H53	SW-1	
Wrench for E10H54 & E10H55	SW-4	
Pre-filter system for E10H55	E10H71	
Pre-filter cartridge for E10H71	E10H72	
Replacement filter cartridge for old style E10H47	E10H43	
Replacement pre-filter core for old style E10H47	E10H46	
Housing for E10H46 pre-filter core	E10H45	

Miscellaneous

	USDA bearing lubricant	E20K6	
	Ice machine nickel safe cleaner - 16oz bottle	E10V1	
	Ice machine sanitizer - 16oz bottle	E10V31	
	Clock timer retrofit kit	E20T35-KT	
	Knob for clock timer	E20T107	
	Clock timer	E20T35-1	
	Wind up timer	E20T35-2	
	Low water float switch for 4000-RL flakers	E10H36-KT	
	Replacement float switch	E10H36	
	Low water switch for 1000-RLE flaker	F5H31	
	Low water level switch for RLE flakers	E10H38-KT	

TABLE 6 Replacement Expansion Valves

		R-404A		R-22 / R-407	
3000	Standard TXV with Strainer -Remote low with Condenser	E15V6-KT		E15V5-KT	
3000	Balance Port TXV with Strainer - Remote low Rack unit	E15V7-KT		E10V24-KT	
3000 50F	Balance Port TXV with Strainer -Remote low Rack unit	E15V10-KT			
	Balance Port TXV with Strainer-Remote low Rack unit	E15V7-KT		E20V12-KT	
		R-507		R-408A	
3000	Standard TXV with Strainer -Remote low with Condenser	E15V6-KT		E10V23-KT	
3000	Balance Port TXV with Strainer-Remote low Rack unit	E15V7-KT		E10V25-KT	

TABLE 7

Replacement Ice Storage Bin Parts

Mobile Express Ice Bins

Ice cart wheel 10"	SA21	
Ice cart wheel 5" swivel with plate & hardware	SA22	
Ice cart wheel 5" swivel with brake, plate & hardware	SA23	
Ice cart axle assembly (1) axle, (2) plates & hardware	SA24	
Drain valve assembly (1) drain valve, (1) rod assembly, (1) knob	SA27	
Top lid assembly	SA30	
Bottom lid assembly	SA31	
Hinges for (1) cart lid CP200H Cart	SA32	
Spring loaded door latch assembly (mounts on bin)	SB1	
Door latch stop assembly (mounts on access door)	SB2	
Upper drain pan, connectors & hardware (blue plastic)	SB37	
Lower drain pan (stainless)	SB5	
Guillotine handle assembly	SB6	
Guillotine spring loaded stop pin	SB7	
Guillotine track set with hardware	SB33	
Insulated Guillotine	SB52	
Access Door for large single mobile Express Bin (2) mounting rivets, hanging bracket & stop latch (Midwest) CP750	SB38	
Access Door for mobile Express Bin (2) mounting rivets, hanging bracket & stop latch Kloppenburg bins (CP2800)	SB3	
Access Door with Bump for Midwest (2) mounting rivets	SB3-B	
Stainless Steel baffle assembly for large single Mobile Express Door Bin	SB53	
Clear baffle assembly	SB12	
Extrusion kit for Large Single mobile Express Door Bin - poly lined (midwest - plastic)	SB40	
Extrusion kit for Mobile Express Bin - poly lined (klop - Plastic Kit)	SB14	
Extrusion kit for Mobile Express Bin -stainless steel lined (Klop - plastic Kit)	SB41	
Stainless steel extrusion kit for Mobile Express Bin - stainless steel lined (klop)	SB42	
4-Sided gasket for large single Mobile Express Door (midwest) 22 x 15	SB43	
4-Sided gasket for Mobile Express Door (klop) 19.5 x 14.5	SB15	
Stainless steel pop-in leg flanged foot for large single Mobile Express Door Bin	SB44	
Stainless steep pop-in leg flanged foot for Mobile Express Bin Kloppenburg	SB20	
Stainless steep pop-in leg with out Flange foot for Mobile Express Bin MW	SB46	

Upright Ice Bins

Grey poly snout full assembly	SB8	
Dark gray poly snout full assembly	SB45	
Transparent view windows (2) included for gray poly snout bin	SB10	
Transparent view windows (2) included for dark gray poly snout bin	SB47	
Door tracks (stainless steel liner) light gray poly snout bin	SB11	
Door tracks (poly liner)	SB48	
Stainless steel door tracks for gray poly snout	SB49	
Stainless steel door tracks for dark gray poly snout -stainless steel liner	SB50	
Poly door hinges for gray poly snout bin	SB23	
Baffle assembly including spring loaded hinge pins and baffle catch assembly	SB29	

Miscellaneous Replacement Parts

	Mobile ice cart	CP200H	
	Ice shovel	SA10	
	Ice paddle 48" NSF approved	SA11	
	Ice tote kit	SA33	
	Ice paddle 60" NSF approved	SA12	
	Ice paddle bracket (after ice machine is installed)	SB21	
	Ice shovel hanger (after ice machine is installed)	SB22	
	Plastic scoop	SB51	

Parts for the Enclosure

		2000-RLE, RLA, RLR, 10E, 11ES, EFS, ESS	3000-RLE, RLA, RLR, 15E, 16ES, EFS, ESS
1	Enclosure Assembly (2000 & 3000)	E15X-1	
2	Enclosure Sides R&L(2000 & 3000)	E11Z18-4	
1	Enclosure Top (2000 & 3000)	E11Z18-3	
1	Front Cover Assembly	13014	
	Rotolock Sweat Adapter, 1-1/8" ID Sweat X 1-1/4"-12 Thread Angle Adapter, Tin Finish With 1/4" Flare Port Machined For Schraeder Valve Core, Valve Core Included FOR 2000RLE. Requires E10C15 Oring gasket	E10C14	
	Rotolock Oring Gasket for E10C14	E10C15	

