



## Replacement parts for 6000 RL

*Rapid Freeze* • Ice Flakers



TABLE	DESCRIPTION	PAGE
1	Cross section drawing for 6000 pound ice flaker	2
2	Replacement parts for 6000 pound ice machines	3 ~ 4
3	Replacement parts for control panels	5
4	Replacement parts for water filters and misc.	6
	Replacement Expansion Valves	6

**Minimum Parts Order U.S. \$ 100 NET**

**Please have model number and serial number of ice flaker ready when ordering replacement parts**  
**Number in parenthesis noted on some part descriptions indicates quantities**  
**if more than one is required, list price each**

Howe Corporation • 1650 N. Elston Ave. • Chicago, IL. 60642-1585  
 Tel 773-235-0200 • Fax 773-235-0269

[Email: parts@howecorp.com](mailto:parts@howecorp.com)  
[Website: www.howecorp.com](http://www.howecorp.com)

Models 6000-RL, RLA, RLR, SCA, SCW, 31ES, EFS, ESS  
 Flake Ice Machine Cross-Section

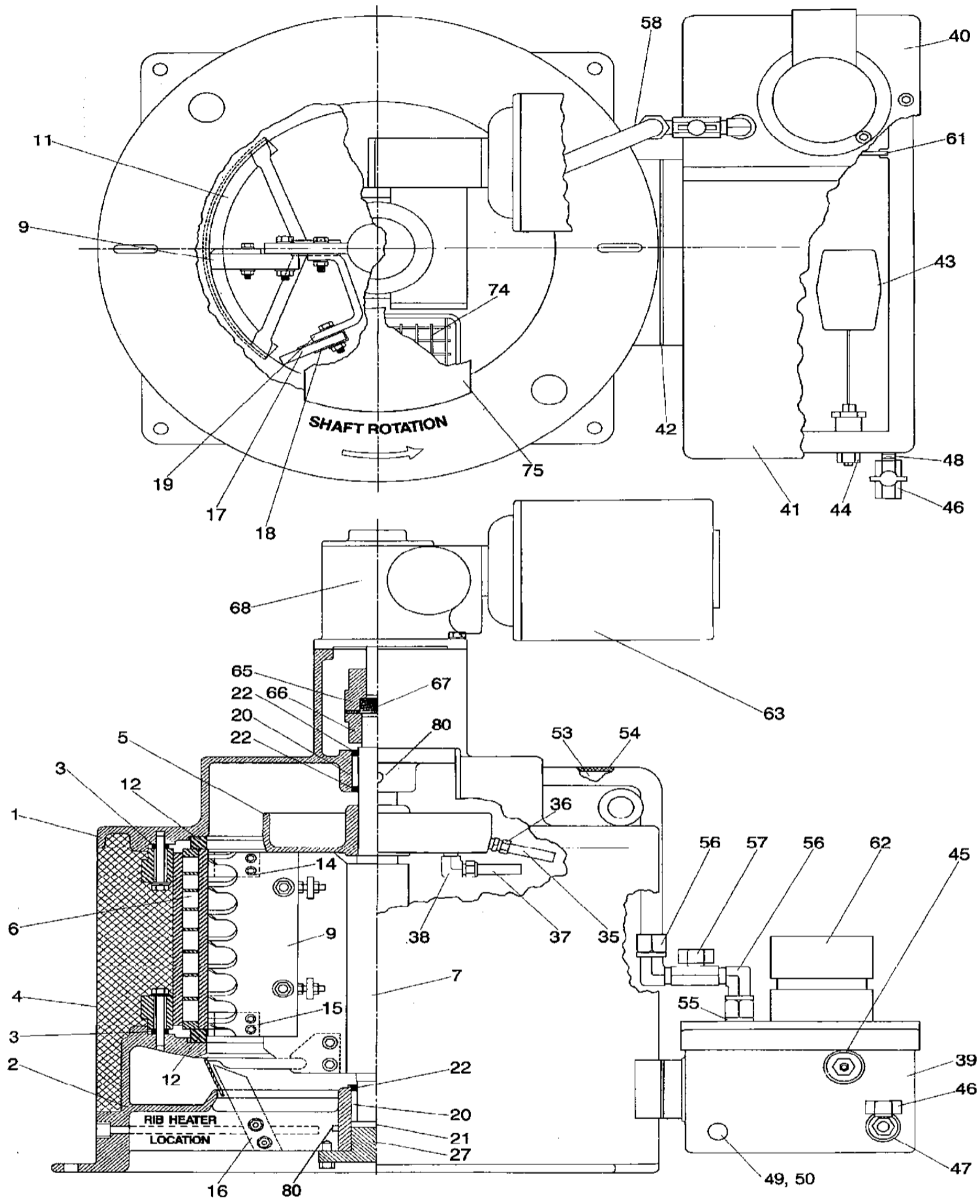


TABLE 1	Replacement parts for model	6000-RL, RLA,
Item No.	Part Description	Part Numbers
3	Insulated Lug Spacers (8)	E20J4
7	Main Shaft	E30D4
9	Ice Blade 8 ½" L, 12 ½" L, 20 ½" L	E30E3
9a	Nuts, bolts & washers (Ice Blade)	E30E5
	Ice Blade Adjustment Gauge kit, set of seven gauges.	E10E15
11	Ice deflector	E20G2
	Ice Deflector Kit, with Scraper & Backing Plate	E20G8-KT
11a	Nuts, bolts & washers (ice deflector)	E20G5
12	Insulating Ring (2)	E20J1
	Insulating Ring Repair Tool	E10J8
14 or 15	Top or bottom auxiliary ice scraper (2)	E20E4
15a	Nuts, bolts & washers (aux. Ice scraper)	E20E7
16	Ice deflector scraper (only)	E20G4
	Ice Deflector Scraper Backing Plate (only)	E20G7
	Ice Deflector Scraper Kit (with backing plate)	E20G9-KT
	Nuts, bolts & washers (ice deflector scraper)	E20G6
17	Squeegee 8 ½" L, 12 ½" L, 20 ½" L	E30F3
17a	Ozone protected Squeegee 8 ½" L, 12 ½" L, 20 ½" L	E30F3-OZ
18	Squeegee wrapper	E30F8
18a	Nuts, bolts & washers (squeegee wrapper)	E30F22
19	Squeegee bracket	E30F7
19a	Squeegee Bracket (Seawater)	E30F21
20	Main shaft bearings (2)	E20K1
21	Bottom bearing thrust plate	E20K2
22	Main bearing grease seals (3)	E20K3
22a	Bearing replacement kit (2 bearings, 1 plate & 3 seals, 1 bottom bearing cover)	E20K4
	Bearing removal / replacement tool kit	E10T1
27	Bottom bearing cover	E20B8
35 & 36	Water distribution side spout & fitting	E30H8 (7)
37 & 38	Water distribution bottom spout / fitting	E20H38
	Water Distribution pan assembly (includes dist. Tubes/fittings)	E30H9
5	<b>(Aluminum Pan / Copper Tubes)</b>	
5	Seawater Distribution Pan	E30H9
5	Seawater Distribution Pan Cover	E10H15
35 & 36	Water distribution side spout & fitting <b>(For Seawater Flake Ice Machines)</b>	E20H39 (3)
37 & 38	Water distribution bottom spout / fitting <b>(For Aluminum Pan for Seawater Flake Ice Machines)</b>	E20H38

41	Water sump removable cover (cast aluminum, access side)	E20H10	To help determinate which water float valve & water pump to use with which flake ice machine		
	Water sump cover (cast aluminum, pump side)	E20H9	Use the following tables:		
41			<b>Water Pumps-Replacement Water Pumps for Freshwater Flake Ice Machines</b>		
42	Water sump gasket	E20J2	Flaker Manufacture Date		
			Start Date	End Date	6000-lbs
43	Water float valve	E50H18	Jan-62	Jul-86	N/A
			Jul-86	Jan-91	E30Q1
	Water Float Valve Assembly ( <i>Shipboard freshwater or seawater &amp; land based seawater</i> )	E50H18	Jan-91	Jul-94	E30Q1
			Jul-94	Dec-00	E30Q1
	Water float Valve Circular - 5" arm (old style)	E20P1	Jan-01	May-06	E30Q1
			May-06	Present	E30Q1
44	Water float valve "bulkhead" fitting	CNBHF-SG-BR08	<b>Float Valves - Replacement Float Valves for Freshwater Flake Ice Machines</b>		
53	Water tube kit with regulating valve	E10H67-KT	Flaker Manufacture Date		
			Start Date	End Date	6000-lbs
56	Water tube fitting (2) (for copper tube/horizontal valve)	ELM-CT-	Jan-62	Jul-86	E20P1
			Jul-86	Jan-91	E50H18
57	Water tube regulating valve	E10H59	Jan-91	Present	E50H18
61	Water sump screen	E20H13			
62	Replacement Water pump 115-230/1/60 <sup>1</sup> NEMA 4 for 4klbs&6klbs.	E30Q1			
	Water pump - seawater 115-230/1/50-60	E20Q5			
	Drive motor 115-230/1/60, 1/3 HP, ½ HP	E30M1			
	Drive motor 110-220/1/50, 1/3HP, ½ HP	E30M3			
	Drive motor 240/1/50, 1/3 HP	E20M12			
	Drive motor 380/3/50, 1/3HP, ½ HP	E30M5			
	Drive motor 230-460/3/60, 1/3HP, ½ HP	E20M2			
	Drive motor 230/1/60 TEFC, ½ HP (for seawater)	E30M2			
	Drive motor 208-230-460/3/60 TEFC, ½ HP (for seawater)	E20M4			
	Drive motor 380/3/50, TEFC, 1/3 HP (for seawater)	E30M6			
65,66,67	Flexible coupling - complete (for use with gearbox)	E20N9-H			
68	Speed reducer for 60cy. 926MDVD 600:1	E20R4			
	Speed reducer for 50cy. 926MDVD 450:1	E20R3			
75a	Handhole cover (bolt down)	E20A6			
	Set of 3 teflon coated stainless steel rib covers	E20T20			
	Replacement rib heater element (3)	HT150/240-037X50			
	Speed Reducer oil (synthetic)	SR-OIL-SYN			
	Liquid Line Solenoid Valve (RL model flakers) W /MCK-2 Coil	B10S2			

TABLE 2	Replacement Control Panel Parts				
<b>Control Panel Parts - F5U4 &amp; E10U45 - Installed on RLE Models</b>					
	Control board, 24VAC.			E20T48	
	Overload reset button (N.O.)			E20T23	
	Snap-in On-off rocker switch			E20T24	
	24 Volt control transformer			E20T31	
	3-Pole relay for motor contactor, (24 volt coil)			F5T2	
	3-Pole relay mounting base			5V013	
<b>Control Panel Parts - E20T40-RL &amp; E20T40-SCA - Installed on RL Models</b>					
	Complete Control Panel (2 lights)			E20T40-RL	
	Complete Control Panel (6 lights)			E20T40-SCA	
	24 Volt control transformer			E20T31	
	Control board (1 ~ 10 amp range)			E20T48	
	Control board (1 ~ 15 amp range)			E20T87	
	Overload reset button (N.O.)			E20T23	
	Snap-in On-off rocker switch			E20T24	
	4-Pole contactor 24 volt coil for flaker drive motor			E20T44	
	230 VAC single pole, double throw relay for water pump			E20T45	
	Relay base socket for above relay			E20T46	
	2 amp fuse (600 vlot) - 2 required			E20T49	
	Fuse holder			E20T52	
	Off-Delay Timer			5V012	
<b>Photoeye Replacement Parts - Old Style</b>					
	Power Module (CM5RB)			E10U28-3	
	Receiver (Black cable, PT400)			E10U28-2	
	Emitter (Gray cable, LR400)			E10U28-1	
	Bracket (single - 2 required)			E10U42	
	11 Bin Base			5V013	
<b>Photoeye Replacement Parts - New Style</b>					
	Photoeye kit (power module, receiver, emitter, brackets)			E20T73	
	Power Module(Level control Relay R1)			E20T68	
	Emitter for RLE Models (20" cable with molex plug)			E20T104	
	Receiver for RLE Models (20" cable with molex plug)			E20T105	
	Emitter for RL Models (15' cable)			E20T104-NP	
	Receiver for RL Models (15' cable)			E20T105-NP	
	Bracket (single - 2 required)			E10U44	
	11 Pin Base			5V013	
<b>Neon Indicating Lights</b>					
	Green 230VAC (compressor run light - SCA control panel)			LGX-2	
	Amber 230VAC (low suction pressure pump down light - SCA)			LAN-2	
	Red 230VAC (low oil pressure& high discharge pressure light - SCA)			LRN-2	
	Green 24VAC (flaker run light - RL & SCA control panels)			LGX-24	
	Red 24VAC (motor overload light - RL & SCA control panels)			LRN-24	

TABLE 3	Replacement Water Filters Systems, Cartridges & Miscellaneous Parts		
Water Filters & Parts			
	Water Filter System for Model 1000 & 2000 (2.5 inch Diameter)	E10H53	
	Water Filter System for Model 4000 & 6000 (4.5 inch Diameter)	E10H54	
	Water Filter System for all other Models	E10H55	
	Filter cartridge for E10H53 for 1000-2000 (2.5 Inch Diamter)	E10H56	
	Filter cartridge for E10H54 & E10H55 (4.5 inch diamter)	E10H57	
	Blue housing for E10H54 & E10H55	E10H69	
	Blue housing for E10H53	E10H58	
	O-Ring for E10H53	E10H74	
	O-Ring for E10H54 & E10H55	E10H63	
	Filter Bracket for E10H55	E10H75	
	Wrench for E10H53	SW-1	
	Wrench for E10H54 & E10H55	SW-4	
	Pre-filter system for E10H55	E10H71	
	Pre-filter cartridge for E10H71	E10H72	
	Replacement filter cartridge for old style E10H47	E10H43	
	Replacement pre-filter core for old style E10H47	E10H46	
	Housing for E10H46 pre-filter core	E10H45	
Miscellaneous			
	USDA bearing lubricant	E20K6	
	Ice machine nickel safe cleaner - 16oz bottle	E10V1	
	Ice machine sanitizer - 16oz bottle	E10V31	
	Clock timer retrofit kit	E20T35-KT	
	Knob for clock timer	E20T107	
	Clock timer	E20T35-1	
	Wind up timer	E20T35-2	
	Low water float switch for 4000-RL flakers	E10H36-KT	
	Replacement float switch	E10H36	
	Low water switch for 1000-RLE	F5H31	
	Low water level switch for RLE flakers	E10H38-KT	

TABLE 4	Replacement Expansion Valves		
		R-404A	R-22 / R-407
6000	Standard TXV with Strainer-Remote low with Condenser	E30V6-KT	E30V5-KT
6000 – Seawater	Standard TXV with Strainer-Remote low with Condenser	E30V11-KT	E50V5-KT
6000	Balance Port TXV with Strainer-Remote low Rack unit	E30V7-KT	E20V12-KT
6000 – Seawater	Balance Port TXV with Strainer-Remote low Rack unit	E30V11-KT	E50V5-KT
		R-507	R-408A
6000	Standard TXV with Strainer-Remote low with Condenser	E30V12-KT	E30V6-KT
6000	Balance Port TXV with Strainer-Remote low Rack unit	E30V11-KT	E30V7-KT