

Rapid Freeze Marine Duty

Seawater-Cooled Condensing Units

COOL SOLUTIONS SINCE 1912

HOWE Proven. Best Choice.

Howe's marine duty condensing units are all engineered with the correct capacity, components and controls to match each and every Howe Rapid Freeze seawater shipboard flake ice machine. These units are designed for unexcelled quality, reliability, and long life. They are durable, energy efficient, and available in a wide variety of refrigerants and electrical voltages.

STANDARD FEATURES

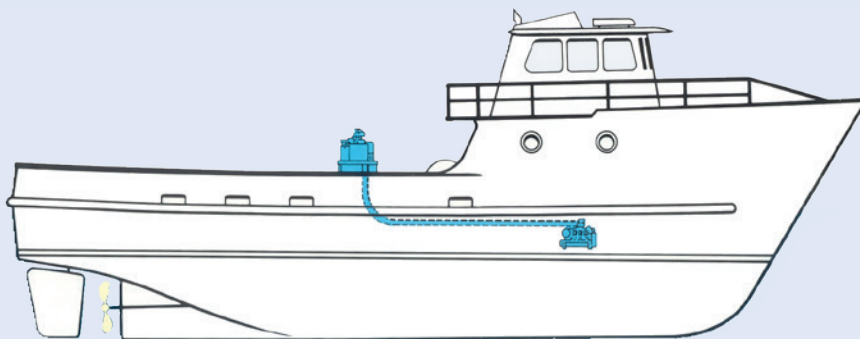
- High efficiency Copeland compressors.
- Electrical controls including compressor contactor and ice flaker interconnect wiring are located easily accessible control box with hinged cover.
- Liquid line filter-drier and sight glass.
- Water regulating valve (shipped loose).

SPECIAL FEATURES

- Contact points to connect with flaker control panel to monitor low oil pressure, high discharge pressure, low suction pressure (pump-down), and compressor running conditions.
- Suction accumulator
- Oil separator with oil return line.
- Separate high pressure, low pressure control switches
- Marine duty condensers for seawater cooling.

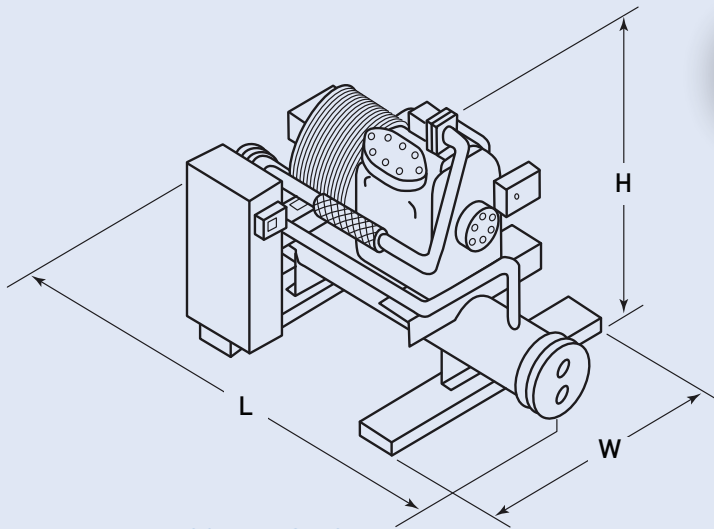


MD2000-SW-R404-1 shown.



Marine Duty

Seawater-Cooled Condensing Units



CONDENSING UNIT

MODEL	DIMENSIONS						CONNECTION SIZES			CONDENSER CONNECTION SIZES		SHIPPING WEIGHT	
	IN			CM			SUCTION	LIQUID	WATER IN	WATER OUT	FLOW GPM	LBS	KG
60 CYCLE													
MD2000-FW-R404A-*	35	41	39	89	104	99	1 ³ / ₈	5/8	1 ¹ / ₄	1 ¹ / ₄	5	415	188
MD4000-FW-R404A-*	35	46	41	89	117	104	1 ⁵ / ₈	7/8	1 ¹ / ₄	1 ¹ / ₄	10	715	325
MD6000-FW-R404A-*	37	46	43	94	117	109	2 ¹ / ₈	7/8	1 ¹ / ₂	1 ¹ / ₂	14	780	354
MD2000-SW-R404A-*	35	41	39	89	104	99	1 ³ / ₈	5/8	1 ¹ / ₄	1 ¹ / ₄	5	415	188
MD4000-SW-R404A-*	35	46	41	89	117	104	1 ⁵ / ₈	7/8	1 ¹ / ₄	1 ¹ / ₄	10	715	325
MD6000-SW-R404A-*	37	46	43	94	117	109	2 ¹ / ₈	7/8	1 ¹ / ₂	1 ¹ / ₂	14	780	354
50 CYCLE													
MD2000-FW-R404A-2	35	41	39	89	104	99	1 ³ / ₈	5/8	1 ¹ / ₄	1 ¹ / ₄	5	430	195
MD4000-FW-R404A-2	35	46	41	89	117	104	2 ¹ / ₈	7/8	1 ¹ / ₂	1 ¹ / ₂	10	780	354
MD6000-FW-R404A-2	37	55	43	94	139	109	2 ¹ / ₈	7/8	1 ¹ / ₂	1 ¹ / ₂	14	865	393
MD2000-SW-R404A-2	35	41	39	89	104	99	1 ³ / ₈	5/8	1 ¹ / ₄	1 ¹ / ₄	5	430	195
MD4000-SW-R404A-2	35	46	41	89	117	104	2 ¹ / ₈	7/8	1 ¹ / ₂	1 ¹ / ₂	10	780	354
MD6000-SW-R404A-2	37	55	43	94	139	109	2 ¹ / ₈	7/8	1 ¹ / ₂	1 ¹ / ₂	14	865	393

*= 1 for 208-230/3/60, 3 for 460/3/60 power

ELECTRICAL 60 CYCLE

50 CYCLE (380/3/50)

208-230/3/60

460/3/60

	MODEL	COMPRESSOR		UNIT		MODEL	COMPRESSOR		UNIT	
		RLA	LRA	MCA	MOP		RLA	LRA	MCA	MOP
Freshwater	MD2000-FW-R404A-1	25.4	161	31.7	50	MD2000-FW-R404A-2	10.8	77	13.5	20
	MD4000-FW-R404A-1	37.7	215	47.2	80	MD4000-FW-R404A-2	23.6	139	29.5	50
	MD6000-FW-R404A-1	47.2	278	59.0	100	MD6000-FW-R404A-2	28.9	187	36.1	60
Seawater	MD2000-SW-R404A-1	25.4	161	31.7	50	MD2000-SW-R404A-2	10.8	77	13.5	20
	MD4000-SW-R404A-1	37.7	215	47.2	80	MD4000-SW-R404A-2	23.6	139	29.5	50
	MD6000-SW-R404A-1	47.2	278	59.0	100	MD6000-SW-R404A-2	28.9	187	36.1	60
Freshwater	MD2000-FW-R404A-3	12.0	80	15.0	25					
	MD4000-FW-R404A-3	16.7	106	20.9	35					
	MD6000-FW-R404A-3	23.6	139	29.5	50					
Seawater	MD2000-SW-R404A-3	12.0	80	15.0	25					
	MD4000-SW-R404A-3	16.7	106	20.9	35					
	MD6000-SW-R404A-3	23.6	139	29.5	50					



HOWE®

1650 N. Elston Ave., Chicago, IL 60642-1585 | 773 235 0200 | Fax 773 235 0269
howecorp.com | howeinfo@howecorp.com

