

# Rapid Freeze 4000-RL

with Remote Condensing Unit

COOL SOLUTIONS SINCE 1912

## HOWE Proven. Best Choice.™

Howe's versatile Rapid Freeze Flake Ice Machines set the standard for energy efficiency, water conservation and longer, trouble-free operating life. Our reliable ice flakers are engineered to deliver exceptional ice quality that keeps food cooler and fresher, longer, at reduced operating expense.

From food processing and distribution, to supermarket and retail applications, Howe has an energy-efficient Rapid Freeze solution to meet your needs.

### PROVEN ENERGY EFFICIENCY

Innovative engineering, rugged construction deliver exceptional heat transfer. Requires significantly less energy per pound. Substantially lower operating/maintenance requirements. Optimized water usage.

### EXCEPTIONAL ICE QUALITY

True, 100% dry, sub-cooled flake ice contains 4 times more surface area for significantly better cooling – up to 20% longer. Drier ice draws heat away quickly and evenly. Process uses less energy with virtually zero water loss.

### LONGER, TROUBLE-FREE OPERATING LIFE

Innovative evaporator design utilizes gravity for 50% lighter bearing load. Operates trouble-free outlasting 3 - 4 times longer than competitive machines. Fewer maintenance/service issues.

### STANDARD PACKAGE INCLUDES:

- NEMA1 control panel
- Photo eye ice level control system
- Low water level switch
- TXV Valve (expansion valve) (for virtually any available refrigerant)
- Solenoid Valve
- EPR Valve
- Suction line heat exchanger
- TEFC drive motor

### PREMIUM PACKAGE INCLUDES:

above plus:

- Low ambient kit
- NEMA4 control panel

### AVAILABLE OPTIONS/ACCESSORIES

- Clock timer
- Water filter system
- Salt dosing kit
- Ice storage bins (many options available)



Model 4000-RL



MADE IN USA!

### ICE CAPACITIES

|             |     | WATER TEMP °F |             |      |
|-------------|-----|---------------|-------------|------|
|             |     | 50°           | 70°         | 90°  |
| AIR TEMP °F | 70° | 4416          | 4064        | 3706 |
|             | 80° | 4350          | 4008        | 3680 |
|             | 90° | 4200          | <b>3946</b> | 3360 |

### ICE QUALITY & HARDNESS

Ice of higher quality has more cooling capacity per pound than that of lesser quality ice.

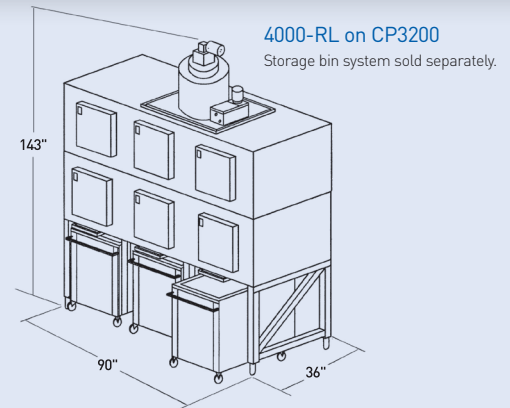
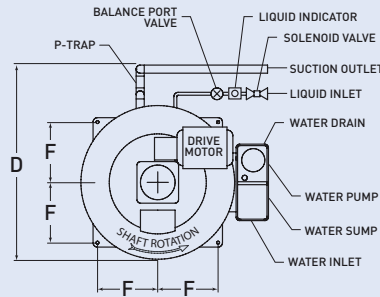
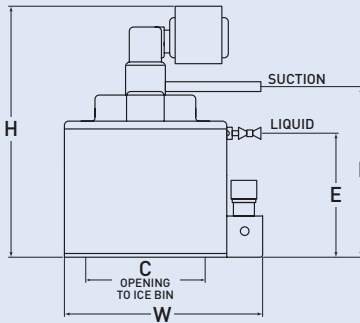
| ICE QUALITY %* | IHAF** | KWH/100 LBS |
|----------------|--------|-------------|
| 101            | 1.01   | 3.07        |

\* Ice Quality expressed as a percentage of cooling capacity of 100% 32°F ice.

\*\*Ice Hardness Adjustment Factor used to correct kWh/100lb for ice quality. All data given at 90°F air / 70°F water.

# 4000-RL

with Remote Condensing Unit



| MODEL   | DIMENSIONS (INCHES) |    |        |        |        | CONNECTION SIZES (ODS) |        |       |
|---------|---------------------|----|--------|--------|--------|------------------------|--------|-------|
|         | C                   | E  | F      | G      | I      | SUCTION                | LIQUID | WATER |
| 4000-RL | 19                  | 20 | 10-1/4 | 17-1/2 | 27-1/2 | 1-3/8                  | 1/2    | 3/8   |

## ICE FLAKER

| MODEL   | CAPACITY/<br>24 HRS* | KWH/<br>100 LBS*  | WATER USAGE/<br>100 LBS OF ICE<br>GALS | DRIVE MOTOR<br>208-230/1/60 |     | WATER PUMP<br>230/1/60<br>FLA | DRIVE MOTOR<br>460/3/60 |     | TOTAL<br>APPROX.<br>RLA | MIN.<br>CIRCUIT<br>AMPS | MAX.<br>FUSE<br>AMPS |
|---------|----------------------|-------------------|--|-----------------------------|-----|-------------------------------|-------------------------|-----|-------------------------|-------------------------|----------------------|
|         |                      |                   |  | HP                          | FLA |                               | HP                      | FLA |                         |                         |                      |
| 4000-RL | 3,946 LBS            | 3.07 <sup>1</sup> | 12.0                                   | 1/3                         | 3.2 | .75                           | —                       | —   | 3.95                    | 5                       | 15                   |
| 4000-RL | 3,946 LBS            | 3.07              | 12.0                                   | --                          | --  | .75                           | 1/3                     | .8  | 1.5                     | 5                       | 15                   |

\* @ 70°/90°F (21°/32°C) based on total consumption for a split system. \*\* without low ambient kit <sup>1</sup> KWH rating is for a split system. Actual KWH for RL connected to a rack system may be less.

| MODEL   | DIMENSIONS |    |        | SHIPPING<br>WEIGHT<br>LBS | WATER<br>GPM | APPROX<br>OPERATING<br>CHARGE R-404A<br>LBS | REFRIGERATION<br>REQUIRED** |         |
|---------|------------|----|--------|---------------------------|--------------|---|-----------------------------|---------|
|         | IN<br>W    | D  | H      |                           |              |   | BTU/HR                      | KCAL/HR |
| 4000-RL | 32         | 33 | 40-1/2 | 700                       | .35          | 15  | 34,100                      | 8,590   |

\*\* @ -5°F (-20.4°C) Evaporator Temperature

## CONDENSING UNIT

| MODEL            | TYPE | REFRIG | POWER        | DIMENSIONS |        |        | ELECTRICAL DATA |    |     | SHIPPING WEIGHT |      |      |     |     |
|------------------|------|--------|--------------|------------|--------|--------|-----------------|----|-----|-----------------|------|------|-----|-----|
|                  |      |        |              | IN<br>W    | D      | H      | CM<br>W         | D  | H   | RLA             | MCA  | MOP  | LBS | KG  |
| LA4002-A-R404A-1 | AC   | R-404A | 208-230/3/60 | 52-1/8     | 35-7/8 | 41-7/8 | 132             | 91 | 106 | 26.1            | 35.5 | 60.0 | 495 | 225 |
| MA4002-A-R404A-3 | AC   | R-404A | 460/3/60     | 52-1/8     | 36-7/8 | 41-7/8 | 132             | 91 | 106 | 11.9            | 16.0 | 25.0 | 495 | 225 |

## WARRANTY

See complete warranty for details.

- 25 year evaporator warranty
- 10 year ice blade warranty
- 2 year parts warranty

## OPERATING PARAMETERS

|                     | MINIMUM     | OPTIMUM     | MAXIMUM      |
|---------------------|-------------|-------------|--------------|
| AMBIENT TEMPERATURE | 50°F (10°C) | 90°F (32°C) | 100°F (38°C) |
| WATER TEMPERATURE   | 45°F (8°C)  | 70°F (21°C) | 90°F (32°C)  |
| WATER PRESSURE      | 20 PSI      | 25-40 PSI   | 60 PSI       |