

Modular Remote Low-Side, Split,  
Air Cooled Flake Ice Machine

Rapid Freeze

# 6000-RL

with Remote Condensing Unit

COOL SOLUTIONS SINCE 1912

## HOWE Proven. Best Choice.™

Howe's versatile Rapid Freeze Flake Ice Machines set the standard for energy efficiency, water conservation and longer, trouble-free operating life. Our reliable ice flakers are engineered to deliver exceptional ice quality that keeps food cooler and fresher, longer, at reduced operating expense.

From food processing and distribution, to supermarket and retail applications, Howe has an energy-efficient Rapid Freeze solution to meet your needs.

### PROVEN ENERGY EFFICIENCY

Innovative engineering, rugged construction deliver exceptional heat transfer. Requires significantly less energy per pound. Substantially lower operating/maintenance requirements. Optimized water usage.

### EXCEPTIONAL ICE QUALITY

True, 100% dry, sub-cooled flake ice contains 4 times more surface area for significantly better cooling – up to 20% longer. Drier ice draws heat away quickly and evenly. Process uses less energy with virtually zero water loss.

### LONGER, TROUBLE-FREE OPERATING LIFE

Innovative evaporator design utilizes gravity for 50% lighter bearing load. Operates trouble-free outlasting 3 - 4 longer than competitive machines. Fewer maintenance/service issues.

### STANDARD PACKAGE INCLUDES:

- NEMA1 control panel
- Photo eye ice level control system
- Low water level switch
- TXV Valve (expansion valve) (for virtually any available refrigerant)
- Solenoid Valve
- EPR Valve
- Suction line heat exchanger
- TEFC drive motor

### PREMIUM PACKAGE INCLUDES: above plus:

- Low ambient kit
- NEMA4 control panel

### AVAILABLE OPTIONS/ ACCESSORIES

- Clock timer
- Water filter system
- Salt dosing kit
- Ice storage bins (many options available)



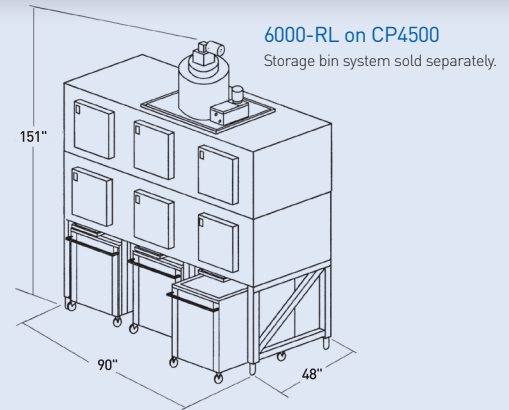
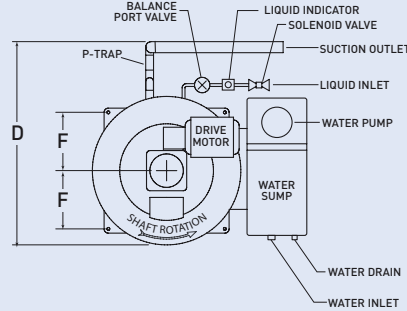
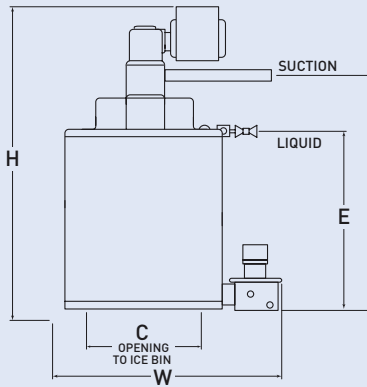
Model 6000-RL



MADE IN USA!

# 6000-RL

with Remote Condensing Unit



MODEL	DIMENSIONS (INCHES)				CONNECTION SIZES (ODS)		
	C	E	F	I	SUCTION	LIQUID	WATER INLET
6000-RL	19	29-1/2	10-1/4	37-1/4	1-5/8	5/8	3/8

## ICE FLAKER

MODEL	CAPACITY/ 24 HRS*	KWH/ 100 LBS*	WATER USAGE/ 100 LBS OF ICE GALS	DRIVE MOTOR 208-230/1/60**		DRIVE MOTOR 575/3/60**		WATER PUMP 230/1/60 FLA	TOTAL APPROX. RLA	MIN. CIRCUIT AMPS	MAX. FUSE AMPS
				HP	FLA	HP	FLA				
6000-RL	6,000 LBS	.52 <sup>1</sup>	12.2	1/2	4.3	—	—	1.15	5.45 <sup>2</sup>	7 <sup>2</sup>	15
				—	—	1/2	.8	.8	1.6 <sup>2</sup>	3 <sup>2</sup>	15

\* @ 70°/90°F (21°/32°C) based on total consumption for a split system. \*\*208-230/1/60 voltage is standard. 460 volt drive motor is optional. <sup>1</sup> KWH rating is estimated for RL connected to a rack system.  
<sup>2</sup> without low ambient kit, add 2 amps for LAK when applicable.

MODEL	DIMENSIONS			SHIPPING WEIGHT LBS	WATER GPM	APPROX OPERATING CHARGE R-404A LBS	REFRIGERATION REQUIRED**	
	IN W	D	H				BTU/HR	KCAL/HR
6000-RL	36	33	50	900	.50	25	51,150	12,890

\*\* @ -5°F (-20.4°C) Evaporator Temperature

## CONDENSING UNIT

MODEL	TYPE	REFRIG	POWER	DIMENSIONS			CM			ELECTRICAL DATA			SHIPPING WEIGHT	
				IN W	D	H	W	D	H	RLA	MCA	MOP	LBS	KG
LA6002-A-R404A-1	AC	R-404A	208-230/3/60	65-1/8	35-7/8	41-7/8	165	91	106	42.1	56.8	90.0	725	329
MA6002-A-R404A-1	AC	R-404A	208-230/3/60	65-1/8	35-7/8	41-7/8	165	91	106	42.1	56.8	90.0	725	329

## WARRANTY

See complete warranty for details.

- 25 year evaporator warranty
- 10 year ice blade warranty
- 2 year parts warranty

## OPERATING PARAMETERS

	MINIMUM	OPTIMUM	MAXIMUM
AMBIENT TEMPERATURE	50°F (10°C)	90°F (32°C)	100°F (38°C)
WATER TEMPERATURE	45°F (8°C)	70°F (21°C)	90°F (32°C)
WATER PRESSURE	20 PSI	25-40 PSI	60 PSI