

Rapid Freeze Low Ambient Air Cooled

Condensing Units

COOL SOLUTIONS SINCE 1912

HOWE Proven. Best Choice.



LA4002-A-R404A-1 shown.

Howe's low ambient condensing units are sized and configured to match Howe Rapid Freeze ice flakers. These units are designed for unexcelled quality, reliability, and long life. They are durable, energy efficient and they provide a high degree of flexibility to a wide diversity of industrial applications.

STANDARD FEATURES

- High efficiency Copeland scroll compressors with POE Oil.
- Thermally protected permanently lubricated ball bearing condenser fan motors.
- Electrical controls including compressor contactor and ice flaker interconnect wiring are located easily accessible control box.
- Head pressure control system
- Suction & liquid vibration eliminators.
- Liquid line filter-drier and sight glass.

SPECIAL FEATURES

- Suction Accumulator
- Oil Separator with oil return line.
- Separate high pressure, low pressure control switches
- Oversized condensing units rated for 95°F ambient conditions.
- Heater & Insulation on receiver

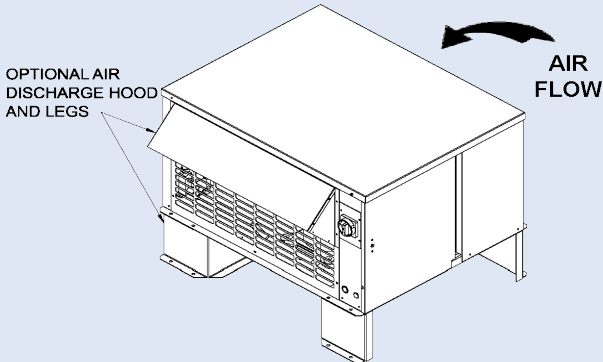
OPTIONAL FEATURES

- Coated condenser coils for harsh environments.
- Oversized condensing units rated for 110°F ambient conditions. (See high ambient spec sheet)

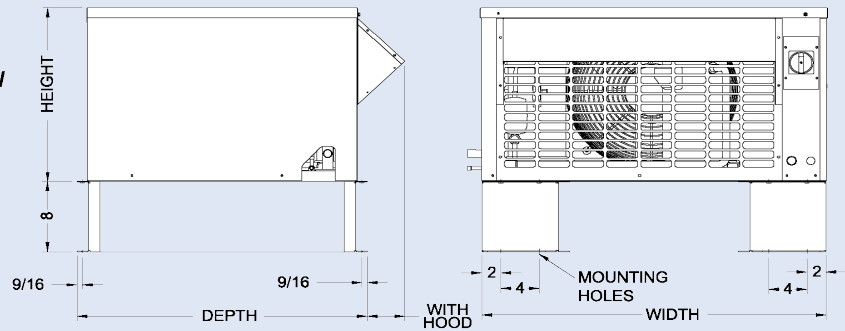
APPLICATIONS

- Produce Harvesters
- Produce Wholesalers
- Produce Markets
- Industrial Bakeries
- Seafood Processors
- Seafood Distributors
- Meat Processors
- Sausage Processors
- Poultry Processors
- Concrete Cooling
- Amusement Parks
- Industrial Catering

SIDE VIEW



END VIEW



CONDENSING UNIT

MODEL	DIMENSIONS IN			CM			CONDENSING UNIT CONNECTION SIZES		REQUIRED RUN LINE SIZES		SHIPPING WEIGHT		REC. CAP. 90% LBS.
	W	D	H	W	D	H	SUCTION	LIQUID	SUCTION	LIQUID	LBS	KG	
LA1002-A-R404A-*	24-3/8	30-3/8	19-3/8	95.89	71.75	43.82	7/8	3/8	7/8	3/8	315	143	11
LA2002-A-R404A-*	43-7/8	32-7/8	30-3/8	111.44	83.5	77.15	1-1/8	1/2	1-1/8	1/2	420	191	22
LA3002-A-R404A-*	43-7/8	32-7/8	30-3/8	111.44	83.50	77.15	1-1/8	1/2	1-3/8	1/2	485	220	22
LA4002-A-R404A-*	52-1/8	35-7/8	41-7/8	132.40	91.12	106.36	1-3/8	5/8	1-3/8	1/2	495	225	30
LA6002-A-R404A-*	65-1/8	35-7/8	41-7/8	165.42	91.12	106.36	1-3/8	5/8	1-5/8	5/8	725	329	54

*= 1 for 230/3/60, 2 for 380/3/50, 3 for 460/3/60, 4 for 575/3/60, 5 for 230/1/60

ELECTRICAL R-404A

VOLTAGE	MODEL	COMPRESSOR		CONDENSER FAN MOTORS			UNIT		
		RLA	LRA	QNT.	WATT	HP	FLA (EACH)	MCA	MOP
208-230/3/60	LA1002-A-R404A-1	8.6	58	1	130	.5	9.1	11.2	20
	LA2002-A-R404A-1	20.5	114	1	400	2.1	22.6	27.7	45
	LA3002-A-R404A-1	21.8	156	1	400	2.1	23.9	29.4	50
	LA4002-A-R404A-1	26.7	224	1	400	2.1	28.8	35.5	60
	LA6002-A-R404A-1	42.1	248	2	800	2.1	46.3	56.8	90
380/3/50	LA2002-A-R404A-2	9.4	60	1	400	1.1	10.5	12.9	20
	LA3002-A-R404A-2	9.3	74	1	400	1.1	10.4	13.7	20
	LA4002-A-R404A-2	11.9	102	1	400	1.1	13	16.0	25
460/3/60	LA2002-A-R404A-3	9.4	58	1	400	1.1	10.5	12.9	20
	LA3002-A-R404A-3	9	75	1	400	1.1	10.1	12.4	20
	LA4002-A-R404A-3	11.9	99	1	400	1.1	13	16	25
	LA6002-A-R404A-3	19.3	125	2	400	1.1	21.5	26.3	45
575/3/60	LA6002-A-R404A-4	15.6	100	2	800	.09	17.4	21.3	35
230/1/60	LA1002-A-R404A-5	13.9	75	1	130	.5	14.4	17.9	30
	LA2002-A-R404A-5	26.1	137	1	400	2.1	28.2	34.7	60