

# Rapid Freeze Large Capacity

## AC Condensing Units

COOL SOLUTIONS SINCE 1912

## HOWE Proven. Best Choice.

Howe's LA52 series condensing units are sized and configured to match Howe Rapid Freeze ice flakers. These units are designed for unexcelled quality, reliability, and long life. They are durable, energy efficient and they provide a high degree of flexibility to a wide diversity of industrial applications.

### STANDARD FEATURES

- High efficiency Copeland semi-hermetic compressors with POE Oil.
- Thermally protected permanently lubricated ball bearing condenser fan motors.
- Electrical controls in weatherproof control box with compressor contactor and fused control circuit.
- Head pressure control system
- Suction & liquid vibration eliminators.
- Liquid line filter-drier and sight glass.
- Model LA52 is horizontal discharge condenser.

### SPECIAL FEATURES

- Pumpdown toggle switch
- Suction Accumulator
- Oil Separator with oil return line.
- Separate high pressure, low pressure control switches
- Heater & insulation on receiver (Std amb., not included with moderate units).

### OPTIONAL FEATURES

- Coated condenser coils for harsh environments.
- Oversized condensing units rated for 110°F ambient conditions.

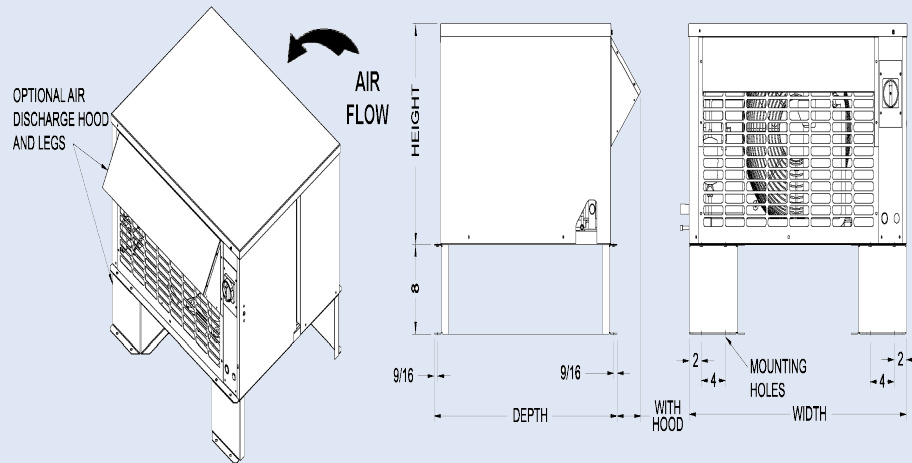
### RAPID FREEZE APPLICATIONS

- Produce Harvesters
- Produce Wholesalers
- Produce Markets



LA52-A-R404A-1 shown.

- Industrial Bakeries
- Seafood Processors
- Seafood Distributors
- Meat Processors
- Sausage Processors
- Poultry Processors
- Concrete Cooling
- Amusement Parks
- Industrial Catering



## CONDENSING UNIT

MODEL	DIMENSIONS			CM W D H	CONDENSING UNIT CONNECTION SIZES		REQUIRED RUN LINE SIZES		SHIPPING WEIGHT			
	W	D	H		SUCTION	LIQUID	SUCTION	LIQUID	LBS	KG		
LA52-A-R404A-*	75-7/8	45-3/4	45-17/32	193	116	115	1-5/8	7/8	2-1/8	7/8	1185	538

\*= 1 for 230/3/60, 2 for 380/3/50, 3 for 460/3/60, 4 for 575/3/60

## ELECTRICAL R-404A

VOLTAGE	MODEL	COMPRESSOR		CONDENSER FAN MOTORS			UNIT AMPS	MCA	MOP
		RLA	LRA	QNT.	WATTS	FLA (EACH)			
208-230/3/60	LA52-A-R404A-1	52.6	278	2	1560	3.6	59.8	72.9	125
460/3/60	LA52-A-R404A-3	26.3	139	2	1560	1.7	29.7	36.3	60
575/3/60	LA52-A-R404A-4	20.9	113	2	1560	1.4	23.7	28.9	40

Suction accumulator is provided with Howe furnished condensing unit.

