

Rapid Freeze

51-RL, 76-RL, 101-RL

Selective Purpose Ice Flaker

COOL SOLUTIONS SINCE 1912

HOWE Proven. Best Choice.™

Rapid Freeze 51-RL, 76-RL, 101-RL ice flakers feature unexcelled quality, reliability, and long life. It is durable, energy efficient and provides a high degree of flexibility to a wide diversity of industrial applications.

RELIABILITY An ice machine you can always depend on. It's backed by over a half-century of innovation and proven performance.

DURABILITY Internal stainless steel components include: shaft, ice blade, deflector, deflector brackets, squeegee wrapper, & brackets. NO galvanized parts inside ice flaker.

HIGH CAPACITY AND FAST RECOVERY

- Model 51 produces 10,000 lbs. ice/24 hours.
- Model 76 produces 15,000 lbs. ice/24 hours.
- Model 101 produces 20,000 lbs. ice/24 hours.

HIGH QUALITY ICE Super-cold, dry, crisp, 100% sub-cooled ice with greater surface area and exceptional cooling power. Draws heat away quickly and evenly for superb process cooling applications.

FLEXIBILITY A diversity of refrigerants, electrical options and condenser configurations are available to meet any need.

LOW MAINTENANCE Substantially lower maintenance requirements than most other brands of ice equipment.

ENERGY-EFFICIENT Requires significantly less energy per pound of ice produced than most other brands of ice equipment.

STANDARD PACKAGE INCLUDES:

- Photo eye ice level control
- Suction to liquid heat exchanger
- EPR valve
- Low water cut out
- Ozone resistant material
- NEMA1 control panel
- ODP Drive motor

PREMIUM PACKAGE INCLUDES:

- Includes above plus:
- Low ambient kit
 - NEMA4 control panel
 - TEFC Drive motor

AVAILABLE OPTIONS:

- Stainless steel water sump
- SS control panel

PATENTED BIN ICE LEVEL CONTROL SYSTEM For maximum bin storage, infrared control turns machine off when ice level reaches chute.



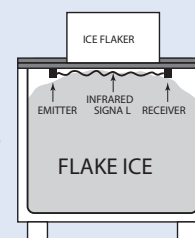
101-RL shown.



100% ICE PRODUCTION/24HRS

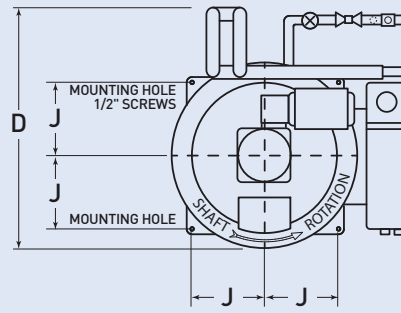
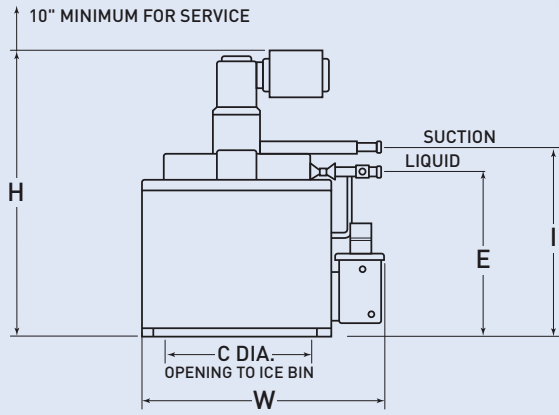
MODEL	REMOTE* LBS	KG
51-RL	10,000	4,540
76-RL	15,000	6,810
101-RL	20,000	9,080

* All data given at 90°F [21°C] air / 70°F [21°C] water.



51-RL, 76-RL, 101-RL

Selective Purpose Ice Flaker



MODEL	DIMENSIONS							CONNECTION SIZES			REFRIGERATION REQUIREMENT*	EVAPORATOR TEMPERATURE	APPROX OPERATING CHARGE R-404A	SHIPPING WEIGHT	
	C	D	E	H	I	J	W	SUCTION	LIQUID	WATER				LBS	KG
51-RL	30	52	31	60	35¼	16¼	53½	2⅝	7/8	1/2	85,250	-5 F/-20.4 C	81	1780	808
76-RL	30	52	43½	72	47¾	16¼	53½	2⅝	7/8	1/2	128,000	-5 F/-20.4 C	123	2150	976
101-RL	30	52	51½	79	55¾	16¼	53½	2⅝	1⅛	1/2	170,500	-5 F/-20.4 C	188	2476	1124
101-2-RL	30	52	51½	79	55¾	16¼	53½	(2) 2⅝	(2) 7/8	1/2	(2) 85,250	-5 F/-20.4 C	188	2476	1124

* @ 70°F (21°C) Water Temperature

VOLTAGE	MODEL	ICE PRODUCTION		MAKE UP WATER GPM	DRIVE MOTOR		WATER PUMP		MIN CIRCUIT APMS	MAX FUSE
		LB	KG		HP	FLA	HP	FLA		
208-230/1/60	51-RL	10,000	4,540	.85	1	6.8	1/8	1.05	15	20
	76-RL	15,000	6,810	1.25	1	6.8	1/8	1.05	15	20
	101-RL	20,000	9,080	1.65	1	6.8	1/8	1.05	15	20
460/3/60	51-RL	10,000	4,540	.85	1	1.8	1/6	.35	5	15
	76-RL	15,000	6,810	1.25	1	1.8	1/6	.35	5	15
	101-RL	20,000	9,080	1.65	1	1.8	1/6	.35	5	15
380/3/50	51-RL	10,000	4,540	.85	1	2.4	1/8	1.1	7	15
	76-RL	15,000	6,810	1.25	1	2.4	1/8	1.1	7	15
	101-RL	20,000	9,080	1.65	1	2.4	1/8	1.1	7	15
575/3/60	51-RL	10,000	4,540	.85	1	1.7	1/6	.28	7	15
	76-RL	15,000	6,810	1.25	1	1.7	1/6	.28	7	15
	101-RL	20,000	9,080	1.65	1	1.7	1/6	.28	7	15

All remote low-side ice flakers come with these standard features, suction & liquid lines pre-piped, and insulated. Liquid line has thermostatic expansion valve, solenoid valve, and liquid indicator mounted, suction line has built in p-trap at outlet connection, TXV bulb is pre-installed in correct location on suction line. Standard NEMA1 control panel is shipped loose for field installation. [Optional NEMA4 enclosure is available with NEMA4/TEFC kit] Drive motor is standard ODP (open drip proof) [TEFC motor is available with optional NEMA4/TEFC kit]. Suction accumulator is not provided with ice flaker, suction accumulator is provided with Howe furnished condensing unit. [See condensing unit spec sheets for details. Rapid Freeze ice flakers require a condensation drip pan to be fabricated and installed under flaker, but above the storage bin. Drip pan shall be constructed to prevent condensation from entering ice storage bin.

OPERATING PARAMETERS

	MINIMUM	OPTIMUM	MAXIMUM
AMBIENT ROOM TEMPERATURE	50°F (10°C)	90°F (32°C)	100°F (38°C)
WATER TEMPERATURE	45°F (8°C)	70°F (21°C)	90°F (32°C)
WATER PRESSURE	20 PSI	25-40 PSI	60 PSI



1650 N. Elston Ave., Chicago, IL 60642-1585 | 773 235 0200 | Fax 773 235 0269
 howecorp.com | howeinfo@howecorp.com

