

Modular Remote Low-Side, Split,  
Air Cooled Flake Ice Machine

Rapid Freeze

# 3000-RLE

with Remote Condensing Unit

COOL SOLUTIONS SINCE 1912

## HOWE Proven. Best Choice.™

Howe's Rapid Freeze Flake Ice Machines set the standard for energy efficiency, water conservation and longer, trouble-free operating life.

Our reliable ice flakers are engineered to deliver exceptional ice quality that keeps food cooler and fresher, longer, at reduced operating expense.

From food processing and distribution, to supermarket and retail applications, Howe has an energy-efficient Rapid Freeze solution to meet your needs.

### PROVEN ENERGY EFFICIENCY

Innovative engineering, rugged construction deliver exceptional heat transfer. Requires significantly less energy per pound. Substantially lower operating/maintenance requirements. Optimized water usage.

### EXCEPTIONAL ICE QUALITY

True, 100% dry, sub-cooled flake ice contains 4 times more surface area for significantly better cooling – up to 20% longer. Drier ice draws heat away quickly and evenly. Process uses less energy with virtually zero water loss.

### LONGER, TROUBLE-FREE OPERATING LIFE

Innovative evaporator design utilizes gravity for 50% lighter bearing load. Operates, trouble-free, 3 - 4 times longer than competitive machines. Fewer maintenance/service issues.

### STANDARD PACKAGE INCLUDES:

- Pre-wired, integrated control panel
- Photo eye ice level control system
- Low water level switch
- TXV Valve (expansion valve) (for virtually any available refrigerant)
- Solenoid Valve
- EPR Valve
- Suction line heat exchanger

### PREMIUM PACKAGE INCLUDES:

- above plus:
- Low ambient kit

### AVAILABLE OPTIONS/ACCESSORIES

- Clock timer
- Water filter system
- Salt dosing kit
- Ice storage bins (many options available)



3000-RLE shown on CP2500 Mobile Express bin system. Storage bin system sold separately.



### ICE CAPACITIES

		WATER TEMP °F		
		50°	70°	90°
AIR TEMP °F	70°	3261	3003	2736
	80°	3178	2920	2628
	90°	3081	<b>2846</b>	2501

### ICE QUALITY & HARDNESS

Ice of higher quality has more cooling capacity per pound than that of lesser quality ice.

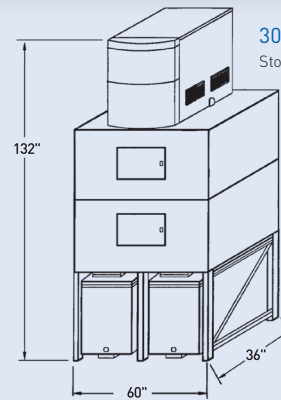
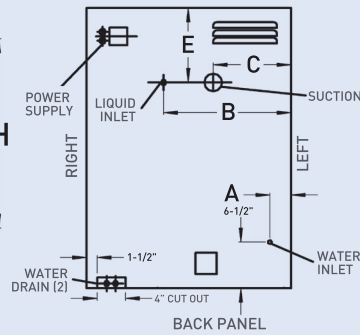
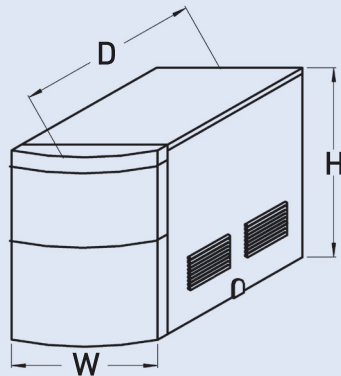
ICE QUALITY %*	IHAF**	KWH/100 LBS
100	1.00	3.74

\* Ice Quality expressed as a percentage of cooling capacity of 100% 32°F ice.

\*\*Ice Hardness Adjustment Factor used to correct kWh/100lb for ice quality. All data given at 90°F air / 70°F water.

# 3000-RLE

with Remote Condensing Unit



3000-RLE on CP2500  
Storage bin system sold separately.

MODEL	DIMENSIONS (INCHES)				POWER SUPPLY	SUCTION	LIQUID	DRAIN	WATER SUPPLY
	A	B	C	E					
3000-RLE-404-230	3-1/2	18-3/8	11-3/8	11	1/2 K.O.	1-3/8 ODS	1/2 ODS	1/2 ID HOSE	3/8 COMP.

## ICE FLAKER

MODEL	CAPACITY/ 24 HRS*	KWH/ 100 LBS*	WATER USAGE/ 100 LBS OF ICE GALS	DRIVE MOTOR 208-230/1/60		WATER PUMP FLA	COMPRESSOR 230/3/60		COND. FAN 230/1/60 FLA	TOTAL APPROX. RLA	MIN. CIRCUIT AMPS	MAX. FUSE AMPS
				HP	FLA		RLA	LRA				
3000-RLE-404-230	2,879 LBS	3.74 <sup>1</sup>	12.0	1/3	3.2	.75	—	—	—	3.9	5	15
W.C.U. **	2,879 LBS	3.74	12.0	1/3	3.2	.75	21.5	156	3.5	29.0	35	50

\* @ 70°/90°F (21°/32°C) based on total consumption for a split system. \*\*3000-RLH is a split system consisting of model 3000-RLE-404-230 remote low side ice flaker & 3000-RHS-R404A-1 or MA3000-A-404A-1 remote air cooled condensing unit. <sup>1</sup> KWH rating is for a split system. Actual KWH for RLE connected to a rack system may be less.

MODEL	DIMENSIONS IN			DIMENSIONS CM			SHIPPING WEIGHT		WATER GPM	APPROX OPERATING CHARGE R-404A LBS	REFRIGERATION REQUIRED**	
	W	D	H	W	D	H	LBS	KG			BTU/HR	KCAL/HR
3000-RLE-404-230	29-1/2	34	40	75	86	101	530	241	.24	12	25,575	6,450

\*\* @ -5°F (-20.4°C) Evaporator Temperature

## CONDENSING UNIT

MODEL	TYPE	REFRIG	POWER	DIMENSIONS IN			DIMENSIONS CM			ELECTRICAL DATA			SHIPPING WEIGHT	
				W	D	H	W	D	H	RLA	MCA	MOP	LBS	KG
LA3002-A-R404A-1	AC	R-404A	208-230/3/60	43-7/8	32-7/8	30-3/8	111	84	77	21.8	27.7	45.0	485	220
MA3002-A-R404A-1	AC	R-404A	208-230/3/60	43-7/8	32-7/8	30-3/8	111	84	77	21.8	27.7	45.0	485	220

## WARRANTY

See complete warranty for details.

- 25 year evaporator warranty
- 10 year ice blade warranty
- 2 year parts warranty

## OPERATING PARAMETERS

	MINIMUM	OPTIMUM	MAXIMUM
AMBIENT TEMPERATURE	50°F (10°C)	90°F (32°C)	100°F (38°C)
WATER TEMPERATURE	45°F (8°C)	70°F (21°C)	90°F (32°C)
WATER PRESSURE	20 PSI	25-40 PSI	60 PSI