

Rapid Freeze High Ambient Air Cooled

Condensing Units

COOL SOLUTIONS SINCE 1912

HOWE Proven. Best Choice.



HA4002-A-R404A-1 shown.

Howe's high ambient condensing units are sized and configured to match Howe Rapid Freeze ice flakers. These units are designed for unexcelled quality, reliability, and long life. They are durable, energy efficient and they provide a high degree of flexibility to a wide diversity of industrial applications.

STANDARD FEATURES

- High efficiency Copeland scroll compressors with POE Oil.
- Thermally protected permanently lubricated ball bearing condenser fan motors.
- Electrical controls in weatherproof control box with compressor contactor and fused control circuit.
- Head pressure control system
- Suction & liquid vibration eliminators.
- Liquid line filter-drier and sight glass.

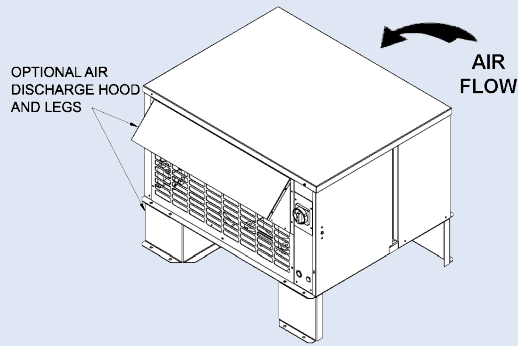
SPECIAL FEATURES

- Pump down toggle switch
- Suction Accumulator
- Oil Separator with oil return line.
- Separate high pressure, low pressure control switches
- Oversized condensing units rated for 110°F ambient conditions.

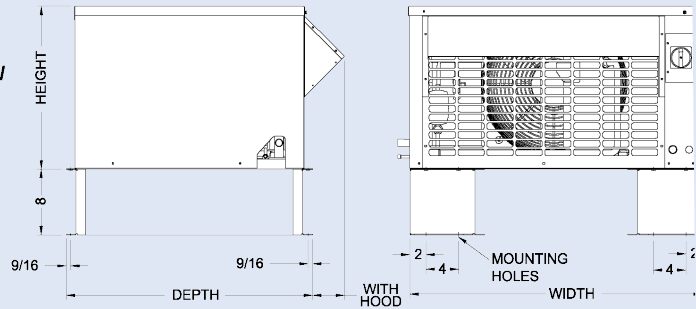
OPTIONAL FEATURES

- Coated condenser coils for harsh environments.

SIDE VIEW



END VIEW



CONDENSING UNIT

MODEL	DIMENSIONS			DIMENSIONS			CONDENSING UNIT CONNECTION SIZES		REQUIRED RUN LINE SIZES		SHIPPING WEIGHT		REC. CAP 90% LBS.
	IN W	D	H	CM W	D	H	SUCTION	LIQUID	SUCTION	LIQUID	LBS	KG	
HA1002-A-R404A-*	36-7/8	30-3/8	19-7/8	92.39	77.15	50.48	7/8	3/8	7/8	3/8	355	194	14
HA2002-A-R404A-*	43-7/8	32-7/8	30-7/8	111.44	83.5	78.42	1-1/8	1/2	1-1/8	1/2	435	197	22
HA3002-A-R404A-*	43-7/8	32-7/8	30-7/8	111.44	83.5	78.42	1-1/8	1/2	1-3/8	1/2	485	264	22
HA4002-A-R404A-*	52-1/8	35-7/8	41-7/8	132.40	91.12	106.36	1-3/8	5/8	1-3/8	1/2	525	238	30
HA6002-A-R404A-*	65-1/8	35-7/8	41-7/8	165.41	91.12	106.36	1-3/8	5/8	1-5/8	5/8	745	406	54

*= 1 for 230/3/60, 3 for 460/3/60,

ELECTRICAL R-404A

VOLTAGE	MODEL	COMPRESSOR		CONDENSER FAN MOTORS			UNIT AMPS	MCA	MOP
		RLA	LRA	QNT.	WATT	(EACH)			
208-230/3/60	HA1002-A-R404A-1	9.6	63	1	240	1.1	10.7	13.1	20
	HA3002-A-R404A-3	21.8	156	1	400	2.1	23.9	29.6	50
	HA2002-A-R404A-1	13.8	99	1	400	2.1	15.9	19.4	30
	HA4002-A-R404A-1	30.4	199	1	400	2.1	32.5	40.1	70
	HA6002-A-R404A-1	50.7339	2	800	2.1		54.9	67.6	100
460/3/60	HA3002-A-R404A-3	9	75	1	400	1.1	10.1	12.4	20
	HA4002-A-R404A-3	14.4	121	1	400	1.1	15.5	19.1	30
	HA6002-A-R404A-3	20.2	139	2	800	1.1	22.4	27.5	45