

# Rapid Freeze Low Ambient Air Cooled

## Condensing Units

COOL SOLUTIONS SINCE 1912

## HOWE Proven. Best Choice.



LA4002-A-R404A-1 shown.

Howe's high ambient condensing units are sized and configured to match Howe Rapid Freeze ice flakers. These units are designed for unexcelled quality, reliability, and long life. They are durable, energy efficient and they provide a high degree of flexibility to a wide diversity of industrial applications.

### STANDARD FEATURES

- High efficiency Copeland scroll compressors with POE Oil.
- Thermally protected permanently lubricated ball bearing condenser fan motors.
- Electrical controls in weatherproof control box with compressor contactor and fused control circuit.
- Head pressure control system
- Suction & liquid vibration eliminators.
- Liquid line filter-drier and sight glass.

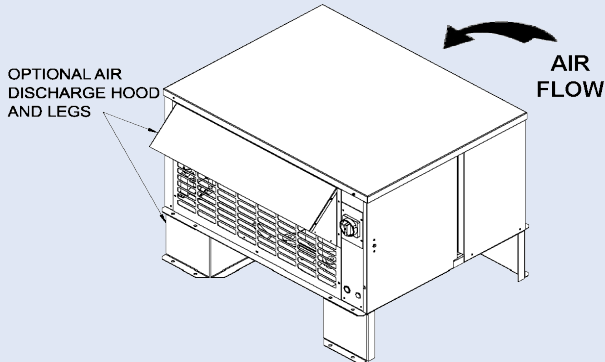
### SPECIAL FEATURES

- Pump down toggle switch
- Suction Accumulator
- Oil Separator with oil return line.
- Separate high pressure, low pressure control switches
- Oversized condensing units rated for 95°F ambient conditions.
- Heater & Insulation on receiver

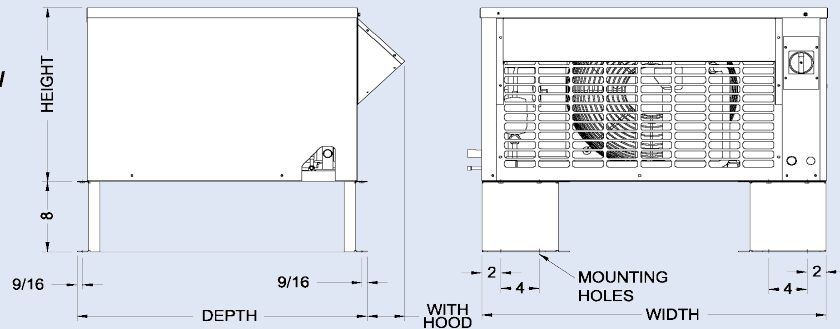
### OPTIONAL FEATURES

- Coated condenser coils for harsh environments.
- Oversized condensing units rated for 110°F ambient conditions. (See high ambient spec sheet)

SIDE VIEW



END VIEW



## CONDENSING UNIT

MODEL	DIMENSIONS IN			CM	CONDENSING UNIT CONNECTION SIZES			REQUIRED RUN LINE SIZES		SHIPPING WEIGHT		REC. CAP. 90% LBS.	
	W	D	H		SUCTION	LIQUID	SUCTION	LIQUID	LBS	KG			
LA1002-A-R404A-*	24-3/8	30-3/8	19-3/8	95.89	71.75	43.82	7/8	3/8	7/8	3/8	315	143	11
LA2002-A-R404A-*	43-7/8	32-7/8	30-3/8	111.44	83.5	77.15	1-1/8	1/2	1-1/8	1/2	420	191	22
LA3002-A-R404A-*	43-7/8	32-7/8	30-3/8	111.44	83.50	77.15	1-1/8	1/2	1-3/8	1/2	485	220	22
LA4002-A-R404A-*	52-1/8	35-7/8	41-7/8	132.40	91.12	106.36	1-3/8	5/8	1-3/8	1/2	495	225	30
LA6002-A-R404A-*	65-1/8	35-7/8	41-7/8	165.42	91.12	106.36	1-3/8	5/8	1-5/8	5/8	725	329	54

\*= 1 for 230/3/60, 2 for 380/3/50, 3 for 460/3/60, 4 for 575/3/60, 5 for 230/1/60

## ELECTRICAL R-404A

VOLTAGE	MODEL	COMPRESSOR		CONDENSER FAN MOTORS			UNIT		
		RLA	LRA	QNT.	WATT	HP	FLA (EACH)	MCA	MOP
208-230/3/60	LA1002-A-R404A-1	8.6	58	1	130	.5	9.1	11.2	20
	LA2002-A-R404A-1	20.5	114	1	400	2.1	22.6	27.7	45
	LA3002-A-R404A-1	21.8	156	1	400	2.1	23.9	29.4	50
	LA4002-A-R404A-1	26.7	224	1	400	2.1	28.8	35.5	60
	LA6002-A-R404A-1	42.1248	2 800	2.1		46.3	56.8	90	
380/3/50	LA2002-A-R404A-2	9.4	60	1	400	1.1	10.5	12.9	20
	LA3002-A-R404A-2	9.3	74	1	400	1.1	10.4	13.7	20
	LA4002-A-R404A-2	11.9	102	1	400	1.1	13	16.0	25
460/3/60	LA2002-A-R404A-3	9.4	58	1	400	1.1	10.5	12.9	20
	LA3002-A-R404A-3	9	75	1	400	1.1	10.1	12.4	20
	LA4002-A-R404A-3	11.9	99	1	400	1.1	13	16	25
	LA6002-A-R404A-3	19.3	125	2	400	1.1	21.5	26.3	45
575/3/60	LA6002-A-R404A-4	15.6	100	2	800	.09	17.4	21.3	35
230/1/60	LA1002-A-R404A-5	13.9	75	1	130	.5	14.4	17.9	30
	LA2002-A-R404A-5	26.1	137	1	400	2.1	28.2	34.7	60