

*Rapid Freeze*

# *Moderate Ambient Air Cooled*

Condensing Units

COOL SOLUTIONS SINCE 1912

## HOWE Proven. Best Choice.



LA4002-A-R404A-1 shown.

Howe's high ambient condensing units are sized and configured to match Howe Rapid Freeze ice flakers. These units are designed for unexcelled quality, reliability, and long life. They are durable, energy efficient and they provide a high degree of flexibility to a wide diversity of industrial applications.

### STANDARD FEATURES

- High efficiency Copeland scroll compressors with POE Oil.
- Thermally protected permanently lubricated ball bearing condenser fan motors.
- Electrical controls in weatherproof control box with compressor contactor and fused control circuit.
- Head pressure control system
- Suction & liquid vibration eliminators.
- Liquid line filter-drier and sight glass.

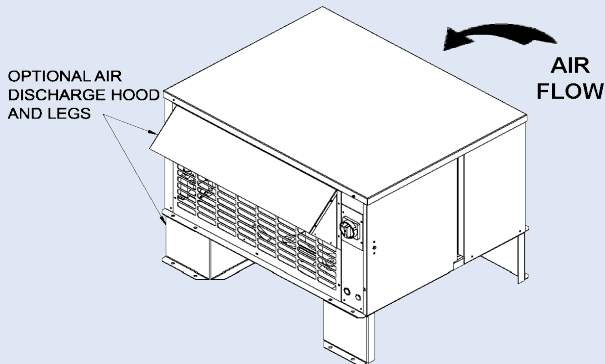
### SPECIAL FEATURES

- Pump down toggle switch
- Suction Accumulator
- Oil Separator with oil return line.
- Separate high pressure, low pressure control switches
- Oversized condensing units rated for 95°F ambient conditions.

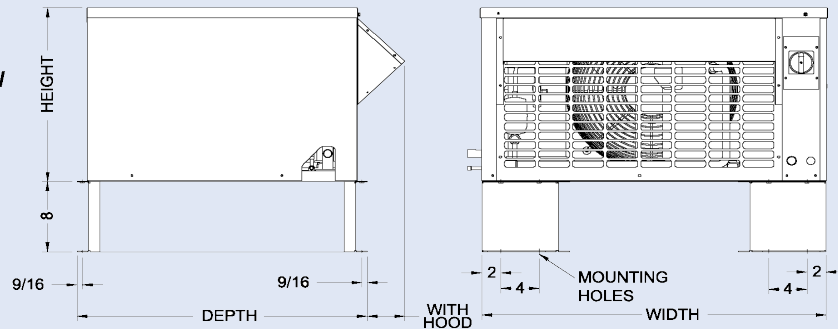
### OPTIONAL FEATURES

- Coated condenser coils for harsh environments.
- Oversized condensing units rated for 110°F ambient conditions. (See high ambient spec sheet)
- Cold Ambient units available for low temperature climates. (See low ambient condensing unit spec sheet).

SIDE VIEW



END VIEW



## CONDENSING UNIT

MODEL	DIMENSIONS IN			DIMENSIONS CM			CONDENSING UNIT CONNECTION SIZES		REQUIRED RUN LINE SIZES		SHIPPING WEIGHT		REC. CAP. 90% LBS.
	W	D	H	W	D	H	SUCTION	LIQUID	SUCTION	LIQUID	LBS	KG	
MA1002-A-R404A-*	24- 3/8	30-3/8	19-3/8	95.89	71.75	43.82	7/8	3/8	7/8	3/8	315	143	11
MA3002-A-R404A-*	43-7/8	32-7/8	30-3/8	111.44	83.5	77.15	1-1/8	1/2	1-3/8	1/2	485	220	22
MA2002-A-R404A-*	43-7/8	32-7/8	30-3/8	111.44	83.50	77.15	1-1/8	1/2	1-1/8	1/2	420	191	22
MA4002-A-R404A-*	52-1/8	35-7/8	41-7/8	132.40	91.12	106.36	1-3/8	5/8	1-3/8	1/2	495	225	30
MA6002-A-R404A-*	65-1/8	35-7/8	41-7/8	165.42	91.12	106.36	1-3/8	5/8	1-5/8	5/8	725	329	54

\*= 1 for 230/3/60, 2 for 380/3/50, 3 for 460/3/60, 4 for 575/3/60, 5 for 230/1/60

## ELECTRICAL R-404A

VOLTAGE	MODEL	COMPRESSOR		CONDENSER FAN MOTORS			UNIT		
		RLA	LRA	QNT.	WATT	HP	FLA (EACH)	MCA	MOP
208-230/3/60	MA1002-A-R404A-1	8.6	58	1	130	.5	9.1	11.2	20
	MA2002-A-R404A-1	20.5	114	1	400	2.1	22.6	27.7	45
	MA3002-A-R404A-1	21.8	156	1	400	2.1	23.9	29.4	50
	MA4002-A-R404A-1	26.7	224	1	400	2.1	28.8	35.5	60
	MA6002-A-R404A-1	42.1	248	2	800	2.1	46.3	56.8	90
380/3/50	MA1002-A-R404A-2			1	400	1.1	10.5	12.9	20
	MA2002-A-R404A-2	9.4	60	1	400	1.1	10.4	13.7	20
	MA3002-A-R404A-2	9.3	74	1	400	1.1	10.4	13.7	20
	MA4002-A-R404A-2	11.9	102	1	400	1.1	13	16.0	25
	MA6002-A-R404A-2								
460/3/60	MA2002-A-R404A-3	9.4	58	1	400	1.1	10.5	12.9	20
	MA3002-A-R404A-3	9	75	1	400	1.1	10.1	12.4	20
	MA4002-A-R404A-3	11.9	99	1	400	1.1	13	16	25
	MA6002-A-R404A-3	19.3	125	2	400	1.1	21.5	26.3	45
575/3/60	MA4002-A-R404A-4								
	MA6002-A-R404A-4	15.6	100	2	800	.09	17.4	21.3	35
230/1/60	MA1002-A-R404A-5	13.9	75	1	130	.5	14.4	17.9	30
	MA2002-A-R404A-5	26.1	137	1	400	2.1	28.2	34.7	60