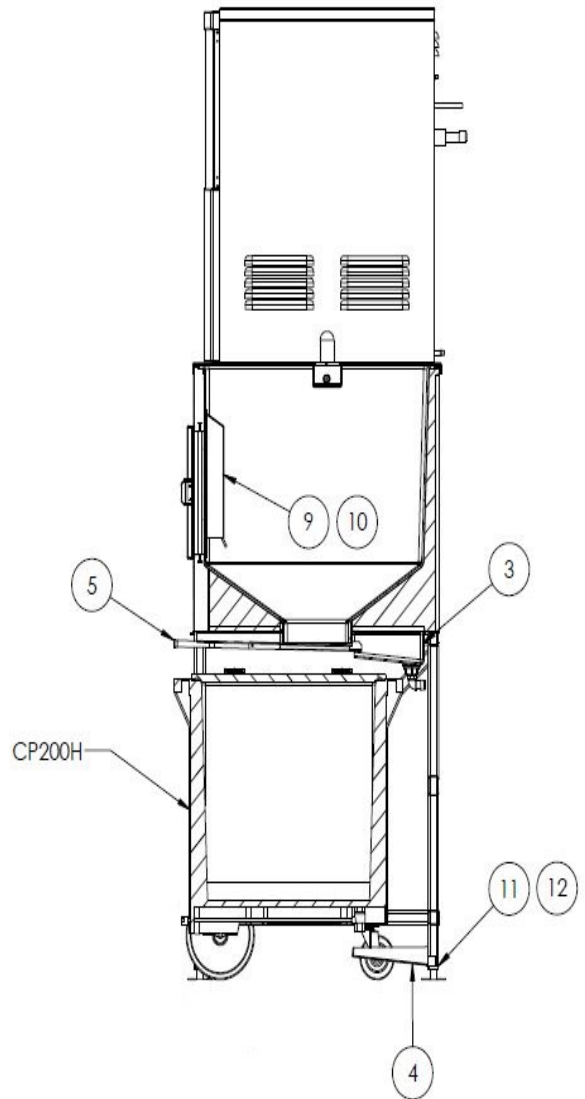
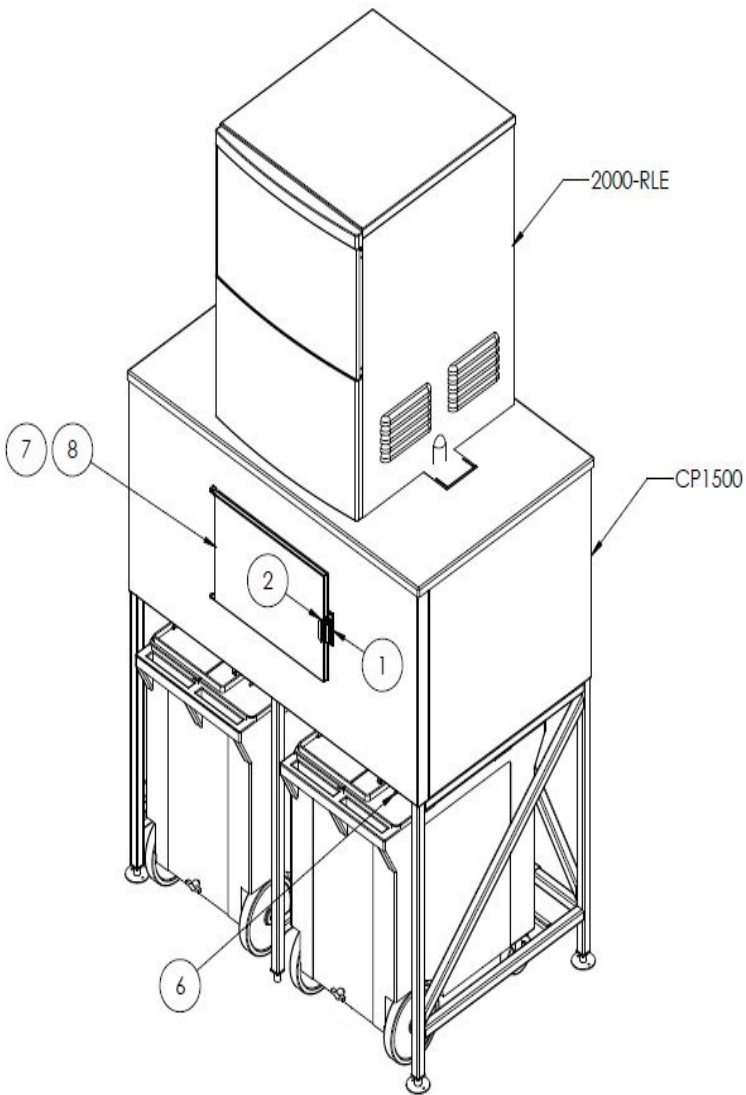




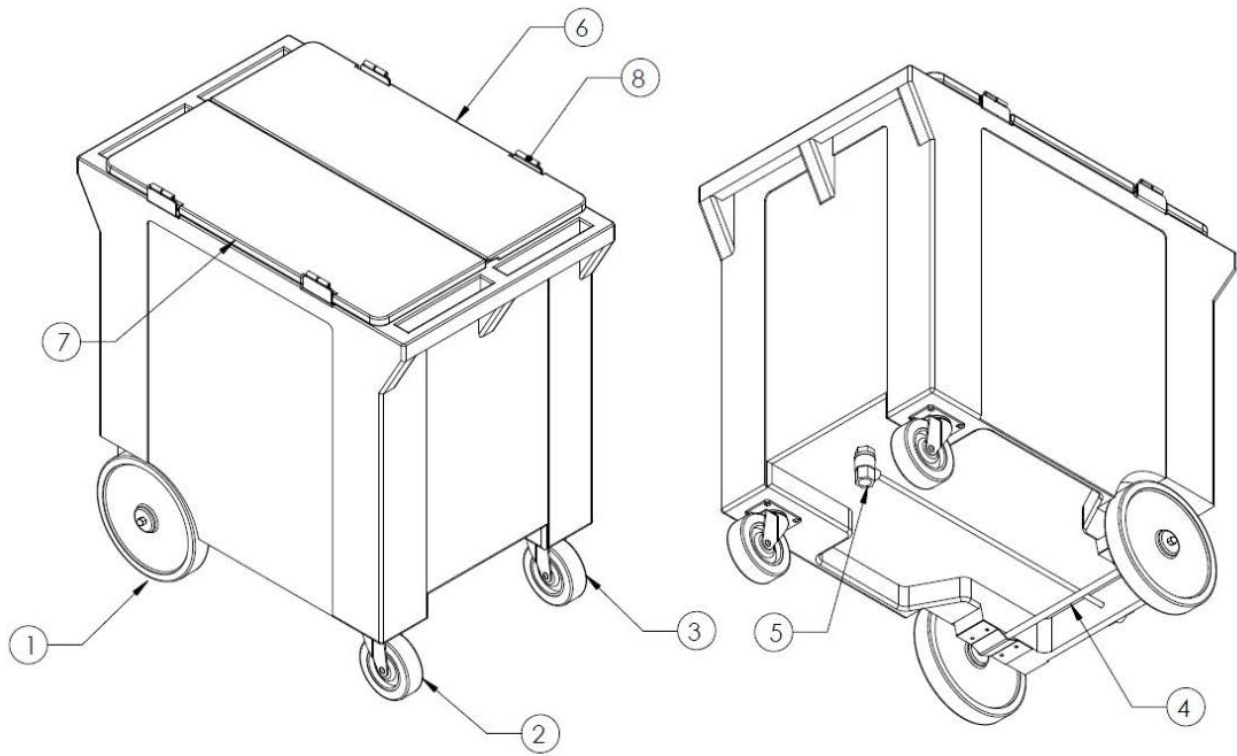
Parts List (Mobile Express and Upright Ice Storage Bins)

Mobile Express Bins



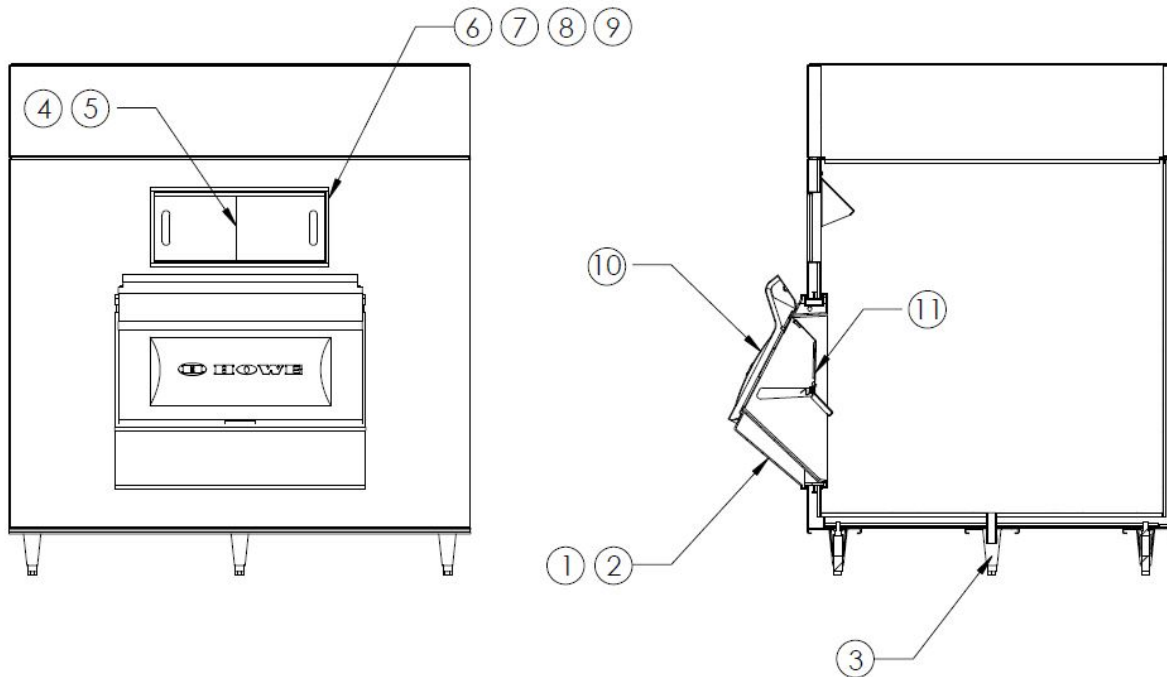
## Replacement Parts for Howe Mobile Express Bins

Item No.	Description	Includes	Part No.
1	Spring Loaded Door Latch Kit (Mounts on Bin)	Hardware	53066
2	Door Latch Stop Kit (Mounts on Access Door)	Hardware	
3	Upper Drain Pan (Blue Plastic)	Connectors, (4) Washers and Bolts	SB37
4	Lower Drain Pan (Stainless)		SB5
5	Guillotine Assembly	Handle	SB6
6	Guillotine Spring Loaded Stop Pin	Hardware	SB7
	Guillotine Track Set	Hardware	SB33
7	Access Door for Large Single Door Bin	(2) Mounting Rivets, Hanging Bracket, Gasket & Stop Latch Assembly	SB38
8	Access Door	(2) Mounting Rivets, Hanging Bracket, Gasket & Stop Latch Assembly	SB3
9	Inside Clear Baffle Assembly For Large Single Door Bin	Plexi-glass in Frame & (2) thumb screws	SB39
10	Inside Clear Baffle Assembly	Plexi-glass in Frame & (2) thumb screws	SB12
	Extrusion Kit for Poly Lined Large Single Door Bin	(4) Plastic Door Frames	SB40
	Extrusion Kit for Poly Lined	(4) Plastic Door Frames	SB14
	Extrusion Kit for Stainless Steel Lined Bin	(4) Plastic Door Frames	SB41
	Stainless Steel Extrusion Kit for Stainless Steel Lined Bin	(4) Stainless Steel Door Frames	SB42
	4-Sided Door Gasket		SB15
	4-Sided Door Gasket for Large Single Door Bin		SB43
11	Stainless Steel Leg with Flanged Foot for Mobil Express Bin		SB20
12	Stainless Steel Leg with Flanged Foot for Mobile Express Bin with Large Single Door Bin		SB44



### Replacement Parts for Howe Mobile Carts

Item No.	Description	Includes	Part No.
1	10" Wheel		SA21
2	5" Caster Wheel	Plate & Hardware	SA22
3	5" Caster Wheel with Brake	Plate, Brake & Hardware	SA23
4	Axle Assembly	(1) Axle, (2) Plates & Hardware	SA24
5	Drain Valve Assembly	(1) Drain Valve, (1) Rod Assembly & (1) Knob	SA27
6	Top Lid Assembly	(1) Top Lid, (2) Hinges & Hardware	SA30
7	Bottom Lid Assembly	(1) Bottom Lid, (2) Hinges & Hardware	SA31
8	Hinges for (1) Cart Lid CP200H Cart	Hardware	SA32
	Mobile Ice Cart		CP200H
	Ice Tote Kit	(6) Totes & (1) Ice Shelf for (1) CP200H Cart	SA33



### Replacement Parts for Howe Upright Bins

Item No.	Description	Includes	Part No.
1	Light Gray Poly Snout Assembly	Door & Hardware	SB8
2	Dark Gray Poly Snout Assembly	Door & Hardware	SB45
3	Bin Leg	With Foot	SB46
4	Observation Doors For Light Gray Poly Snout Bin	(2) Transparent View Windows	SB10
5	Observation Doors For Dark Gray Poly Snout Bin	(2) Transparent View Windows	SB47
6	Observation Door Extrusion Kit (Stainless Steel Lined Bins) Light Gray Poly Snout Bin	(4) Plastic Doors Tracks	SB11
7	Observation Door Extrusion Kit (Poly Lined Bins)	(4) Plastic Door Tracks	SB48
8	Stainless Steel Observation Door Extrusion Kit (Stainless Steel Lined Bins) Light Gray Poly Snout Bin	(4) Stainless Steel Tracks	SB49
9	Stainless Steel Observation Door Extrusion Kit (Stainless Steel Lined Bins) Dark Gray Poly Snout Bin	(4) Stainless Steel Tracks	SB50
	Hinge Set for Snout/Poly Door		SB23
10	Pouch Door (Stainless Steel Lined Bins) Light Gray Poly Snout Bin	Baffle Latch Bracket	SB25
11	Baffle Assembly for all Upright Bins	Spring Loaded Hinge Pins & Baffle Catch Assembly	SB29

<b>Miscellaneous Replacement Parts</b>		
<b>Item No.</b>	<b>Description</b>	<b>Part No.</b>
	Plastic Scoop	SB51
	Ice Shovel	SA10
	Ice Paddle 48" NSF Approved (for 36" deep bins)	SA11
	Ice Paddle 60" NSF Approved (for 48" deep bins)	SA12
	Ice Paddle Bracket (after ice machine is installed)	SB21
	Ice Shovel Hanger (after ice machine is installed)	SB22

**For More Information Contact:**  
**HOWE CORPORATION**  
1650 N Elston Avenue  
Chicago, IL 60642-1585  
Tel 773-235-0200 Fax 773-235-0269  
Email: [howeinfo@howecorp.com](mailto:howeinfo@howecorp.com)  
Web Site : [www.howecorp.com](http://www.howecorp.com)